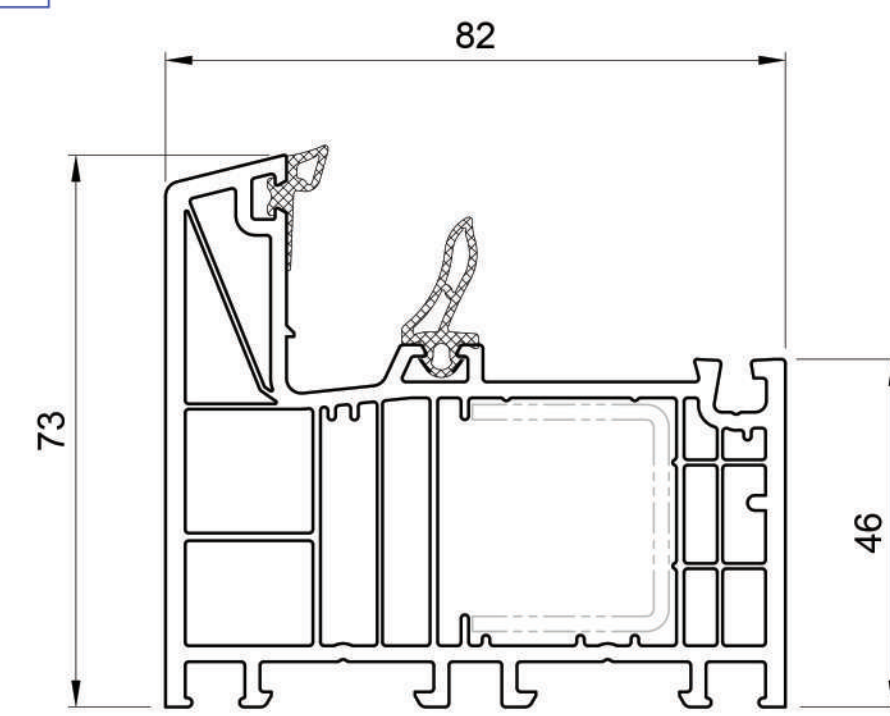




Tiger Evolution® 82

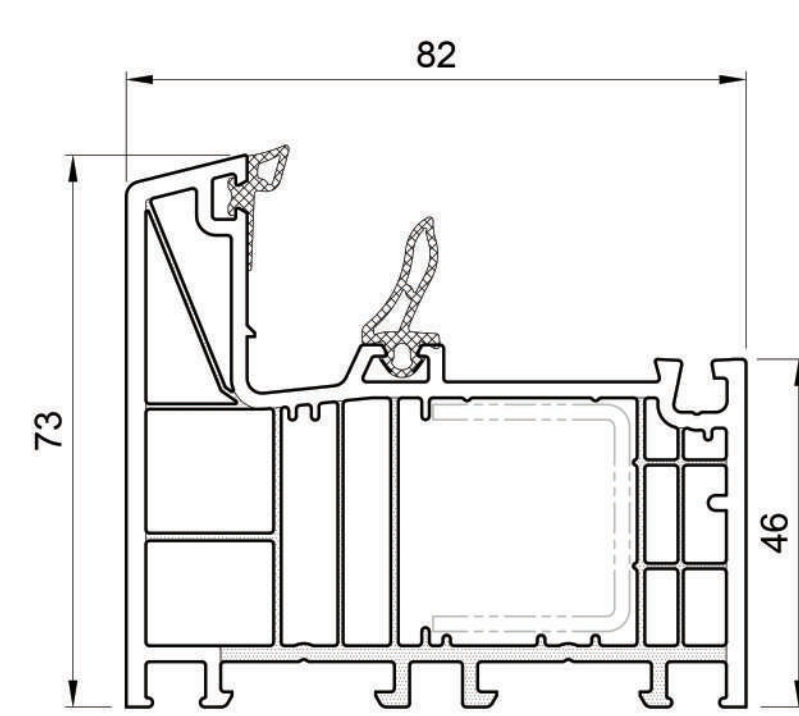
FIȘA TEHNICĂ

Frames



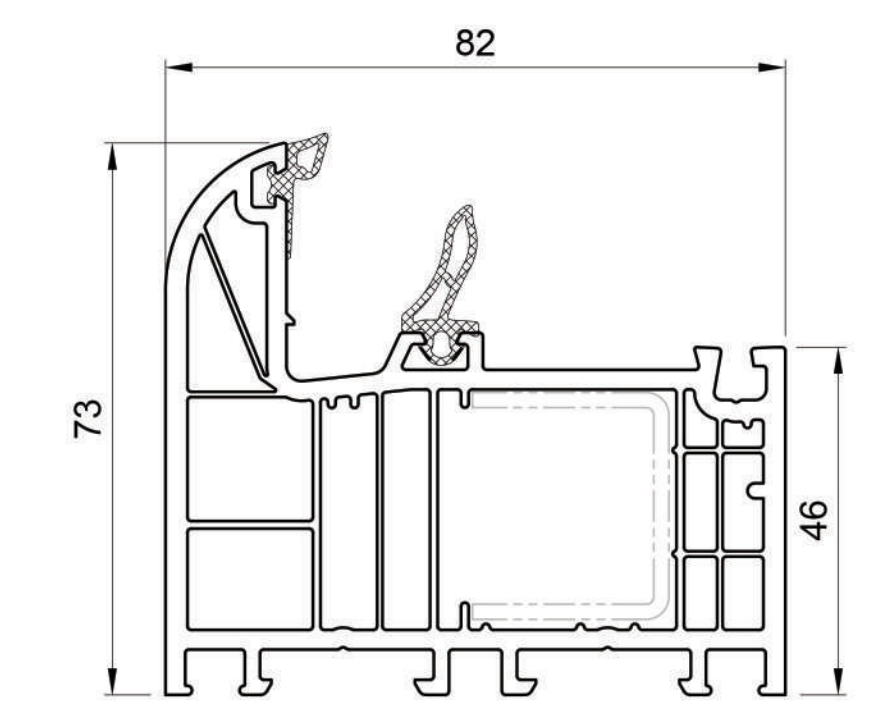
HO9020

Reinforcement: 26x30 VS8020
Reinforcement: 30x30 VS8420



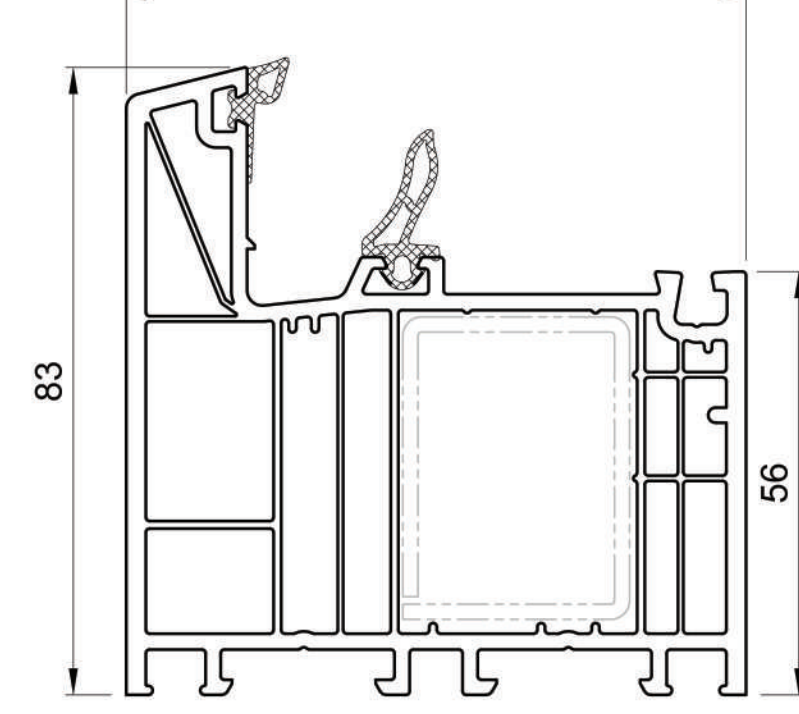
HO9021

Reinforcement: 26x30 VS8020
Reinforcement: 30x30 VS8420



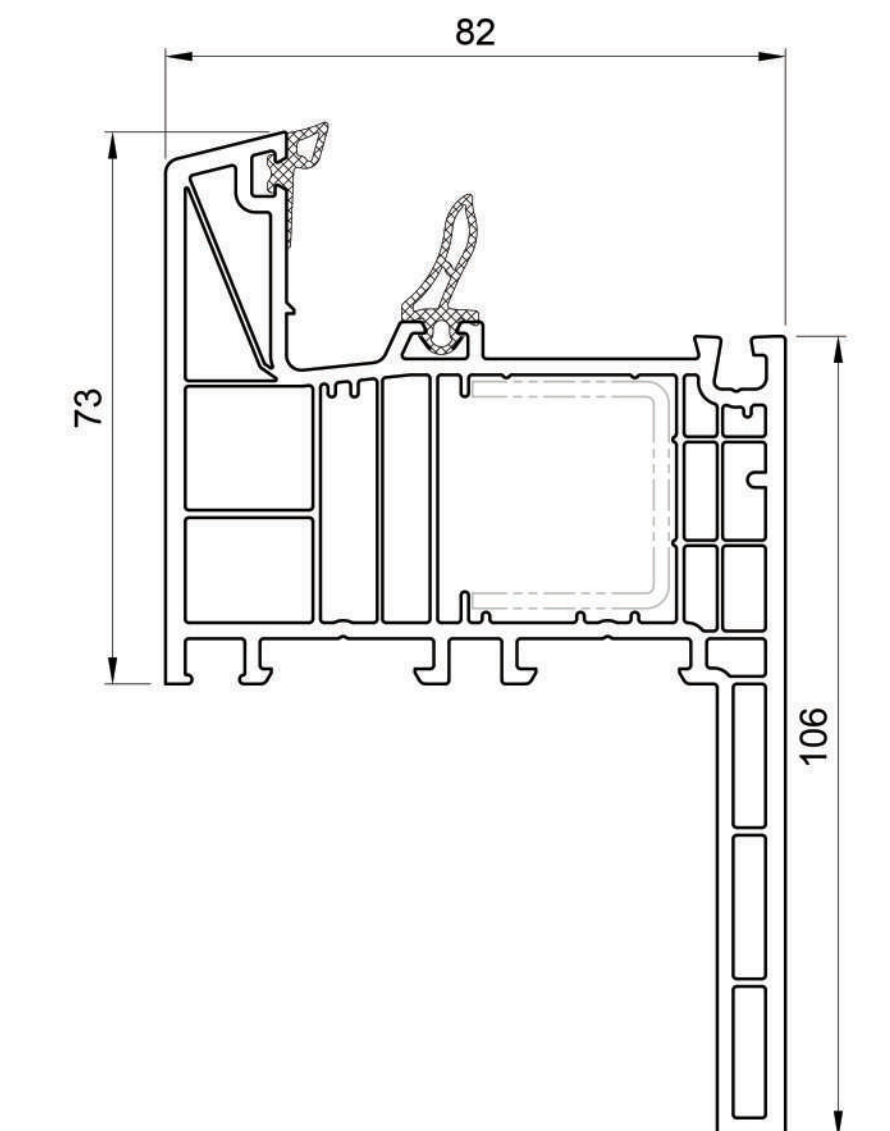
HP9220

Reinforcement: 26x30 VS8020
Reinforcement: 30x30 VS8420



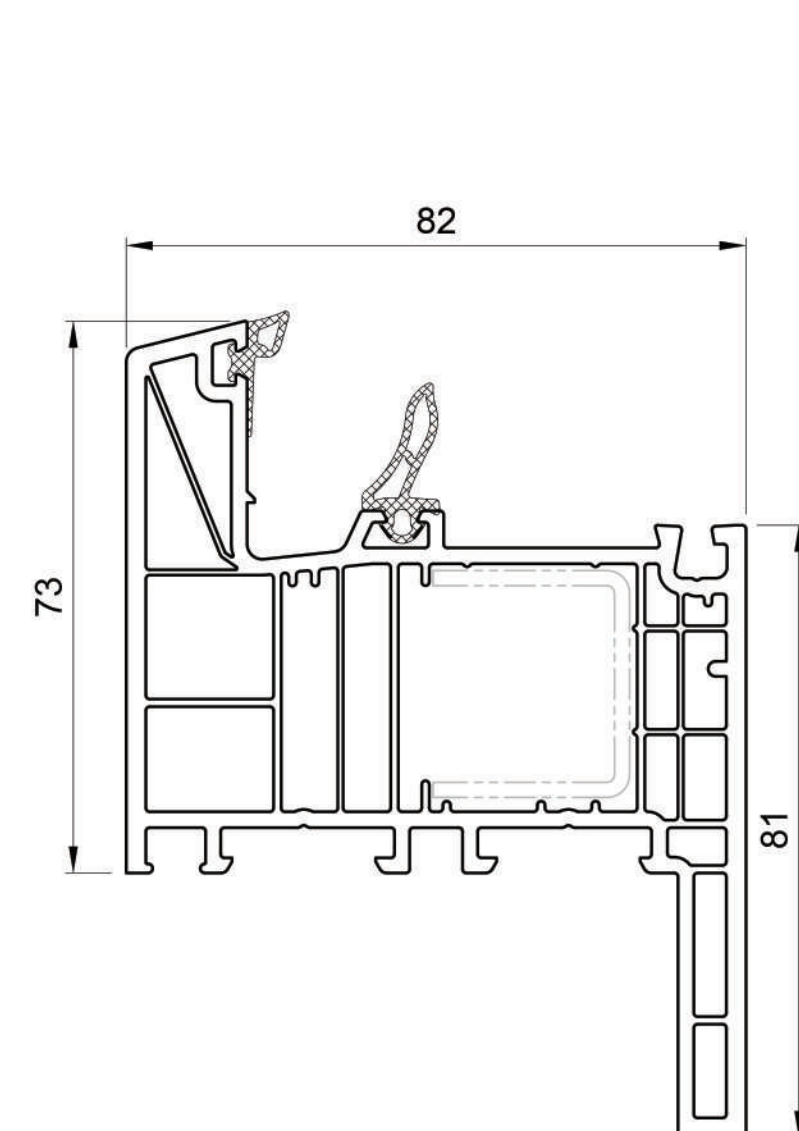
HO9030

Steel tube: 30x40 405 040
Reinforcement: 30x40 VS8230



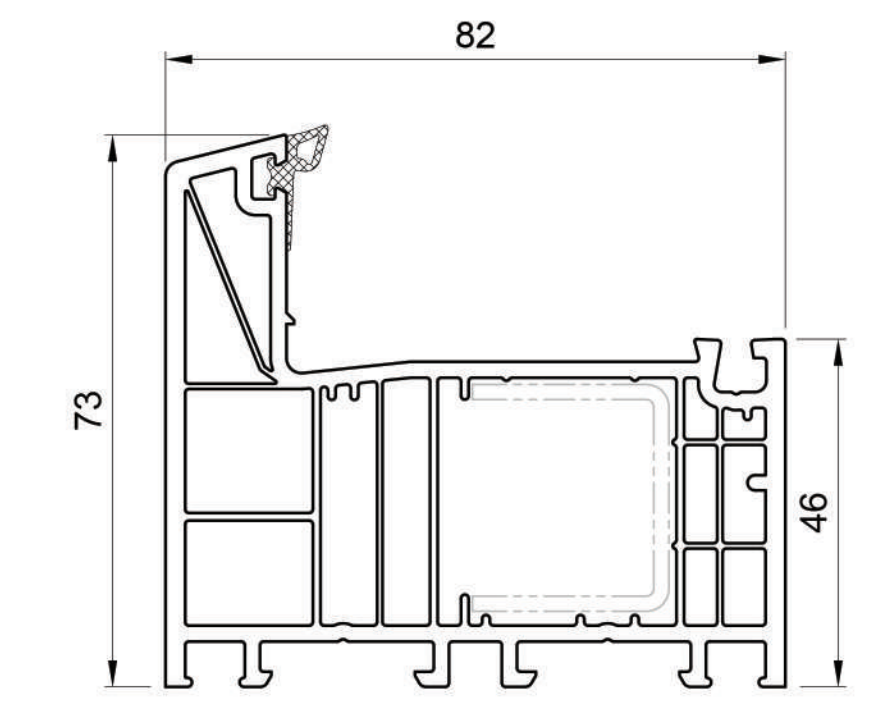
HO9100

Reinforcement: 26x30 VS8020
Reinforcement: 30x30 VS8420



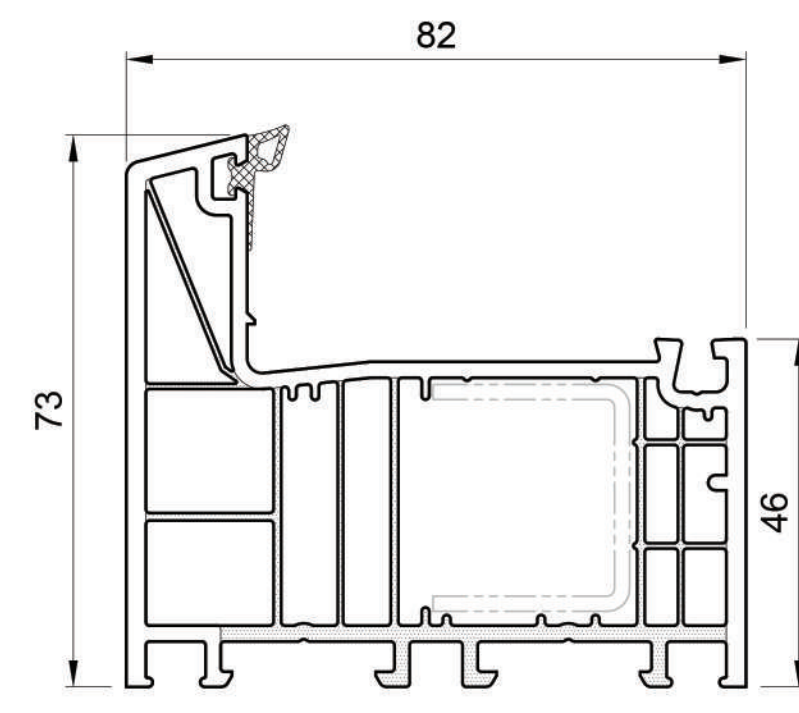
HO9110

Reinforcement: 26x30 VS8020
Reinforcement: 30x30 VS8420



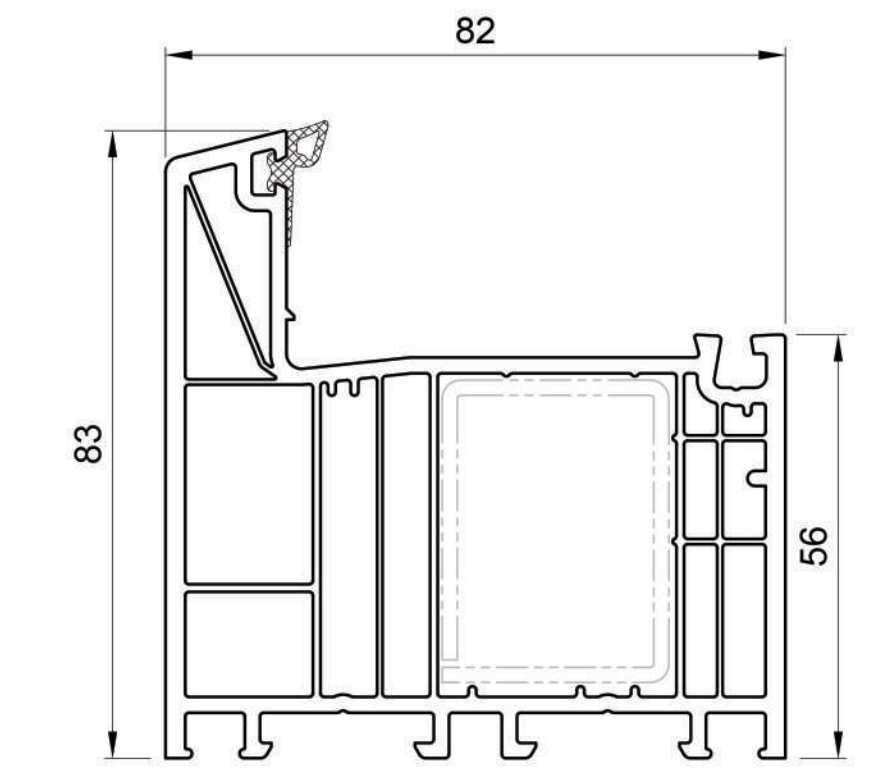
HO8020

Reinforcement: 26x30 VS8020
Reinforcement: 30x30 VS8420



HO8021

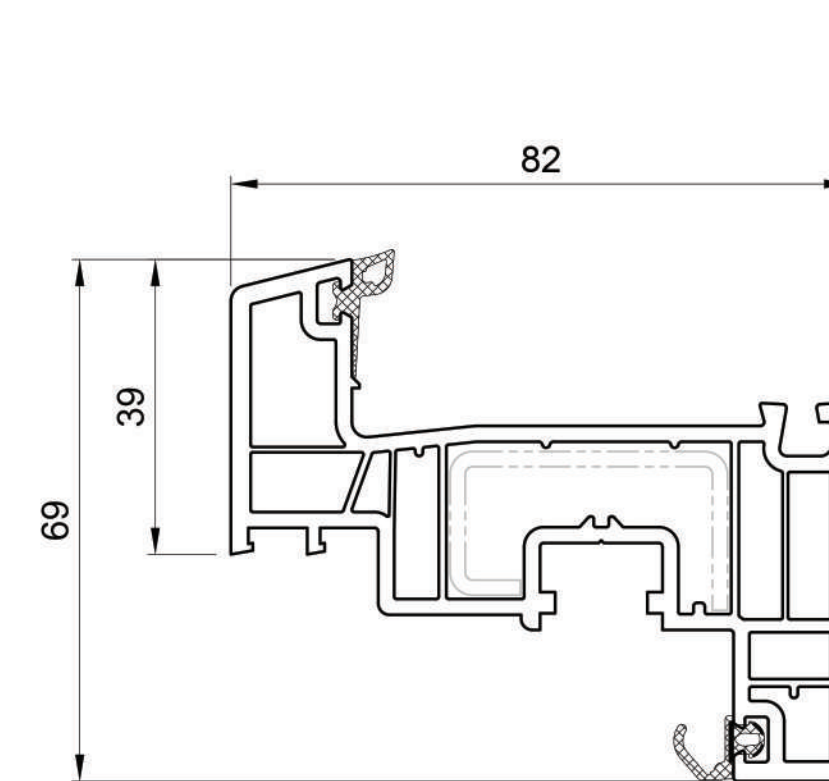
Reinforcement: 26x30 VS8020
Reinforcement: 30x30 VS8420



HO8030

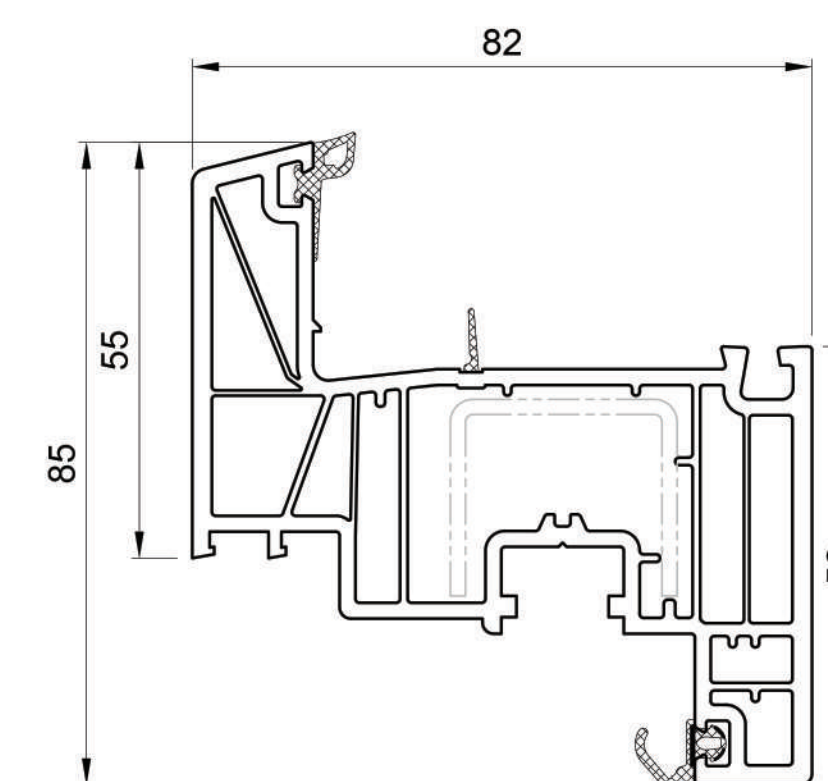
Steel tube: 30x40 405 040
Reinforcement: 30x40 VS8230

Sashes



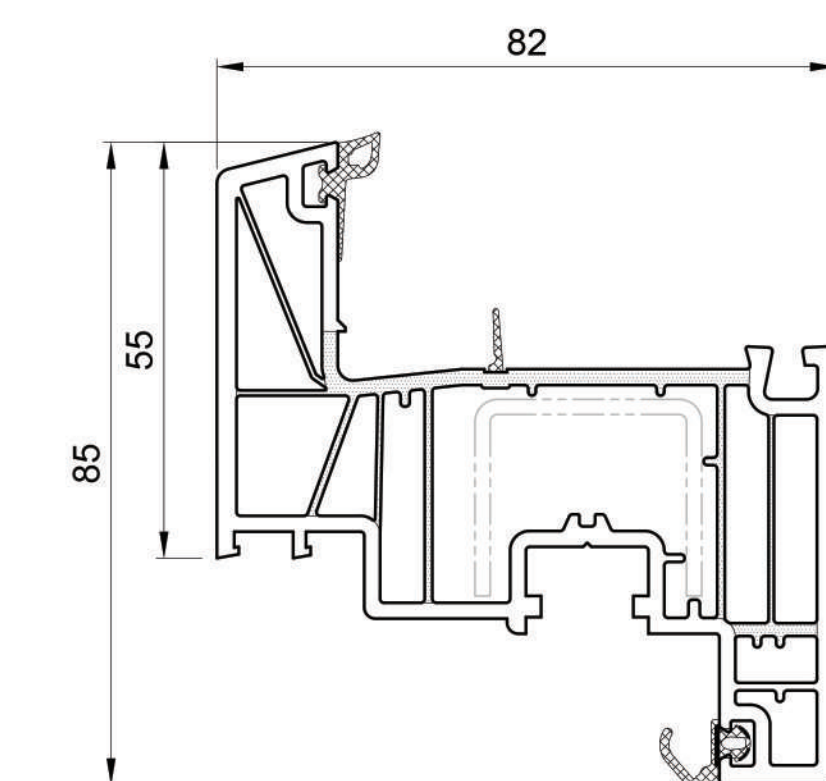
HO8510

Reinforcement: 21x36,7 VS8510



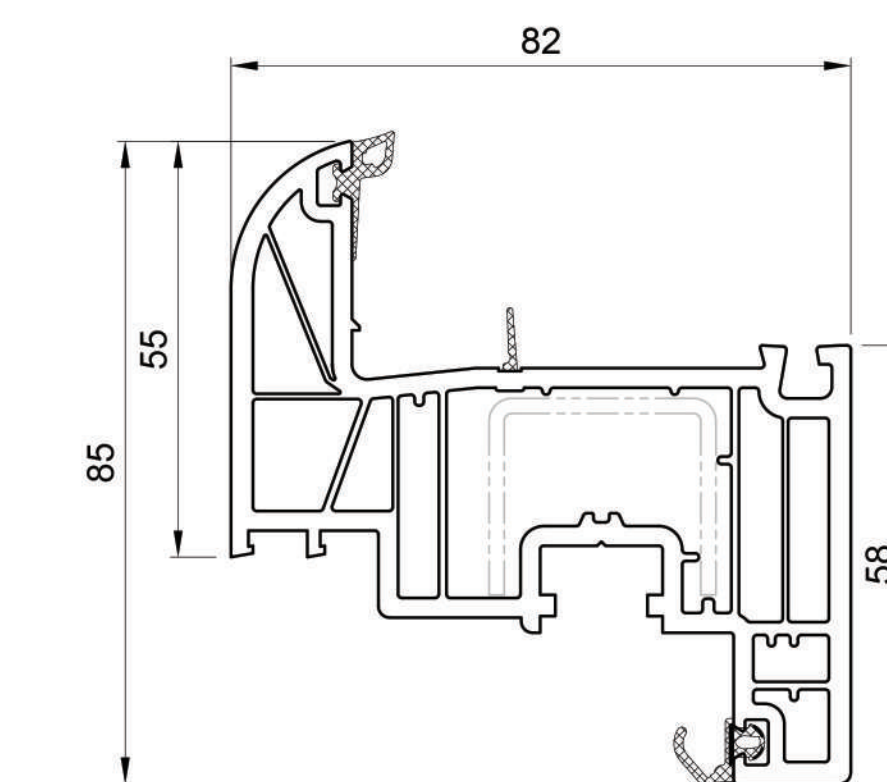
HO8520

Reinforcement: 26x30 VS8020
Reinforcement: 26x35,2 VS8050
Reinforcement: 26x36,3 VS8055
Reinforcement: 26x36,7 VS8520
Reinforcement: 26x36,7 VS8620



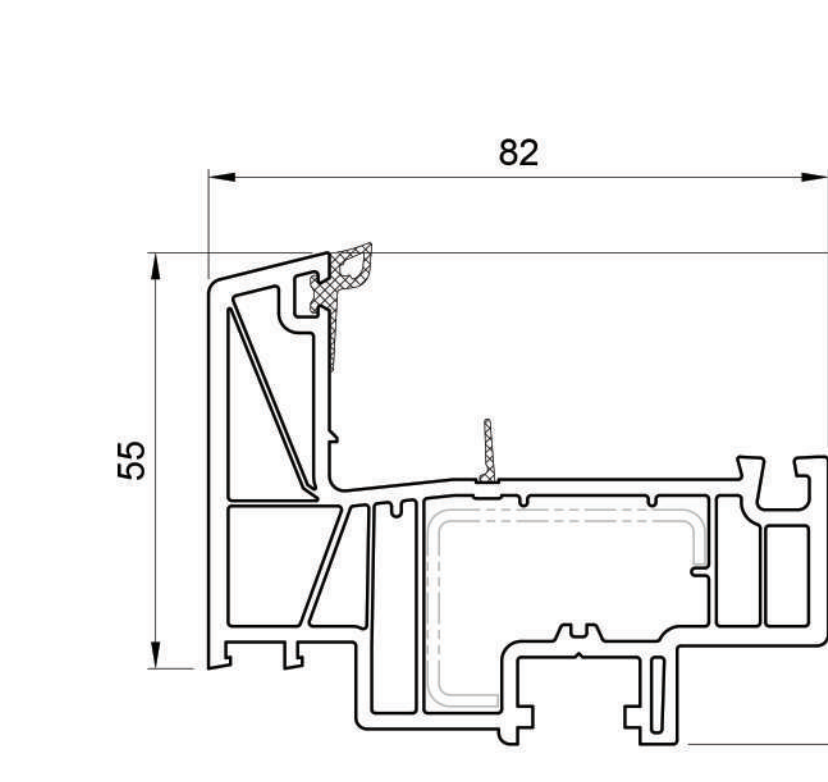
HO8521

Reinforcement: 26x30 VS8020
Reinforcement: 26x35,2 VS8050
Reinforcement: 26x36,6 VS8055
Reinforcement: 26x36,7 VS8520
Reinforcement: 26x36,7 VS8620



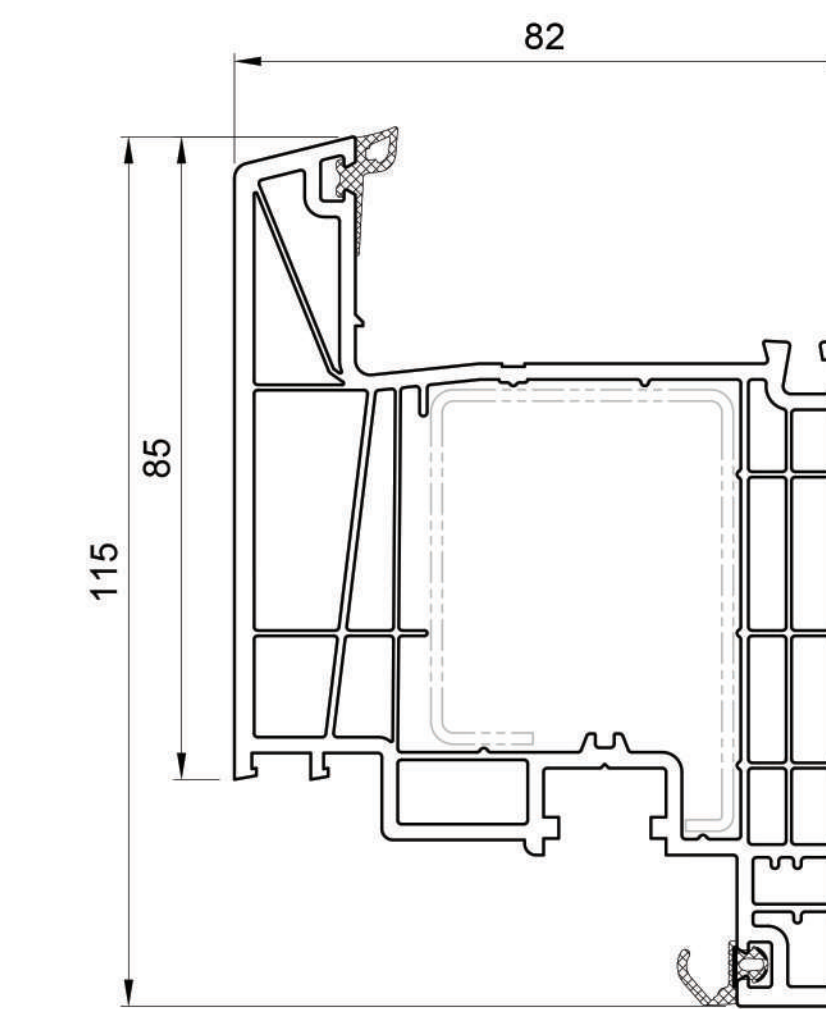
HP8920

Reinforcement: 26x30 VS8020
Reinforcement: 26x35,2 VS8050
Reinforcement: 26x36,3 VS8055
Reinforcement: 26x36,7 VS8520
Reinforcement: 26x36,7 VS8620



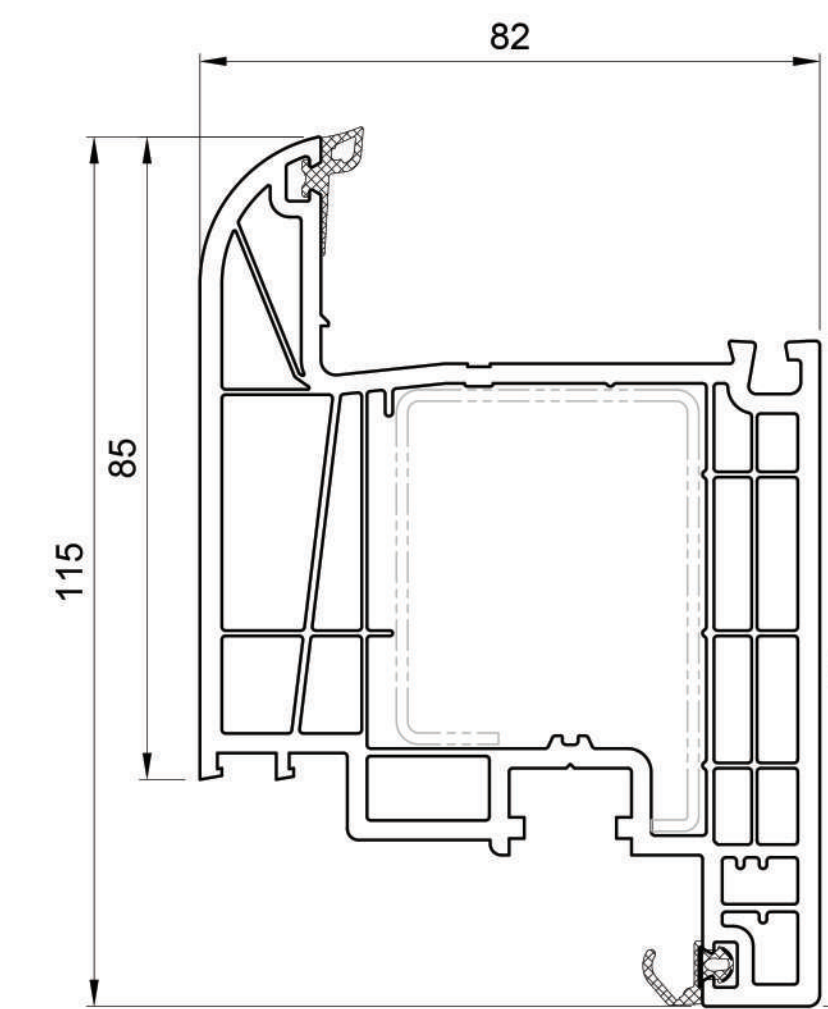
HO8570

Reinforcement: 26x37 VS8520
Reinforcement: 26x37 VS8620



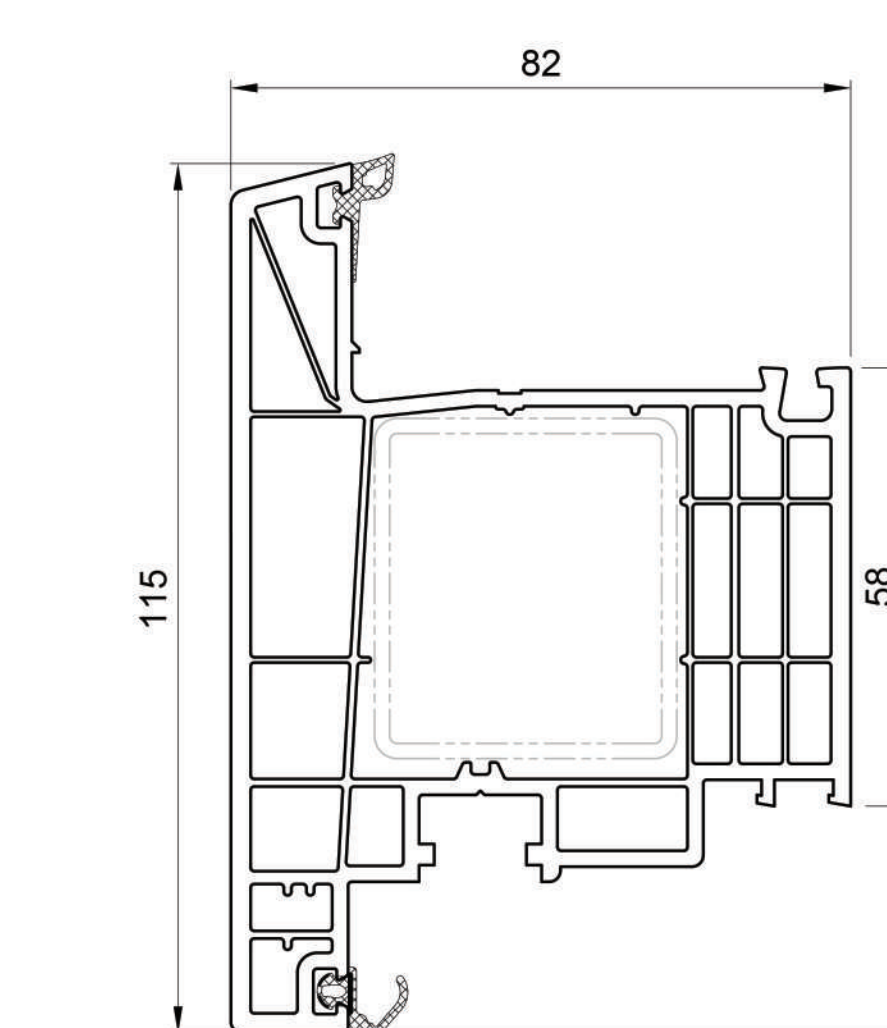
HO8530

Reinforcement: 40x59 VS8030
Steel tube: 40x45 VS8450
Tube part: 40x45 pre-milled MT8530
Weldable corner connector: MT8540
Clamping lever: 207 910



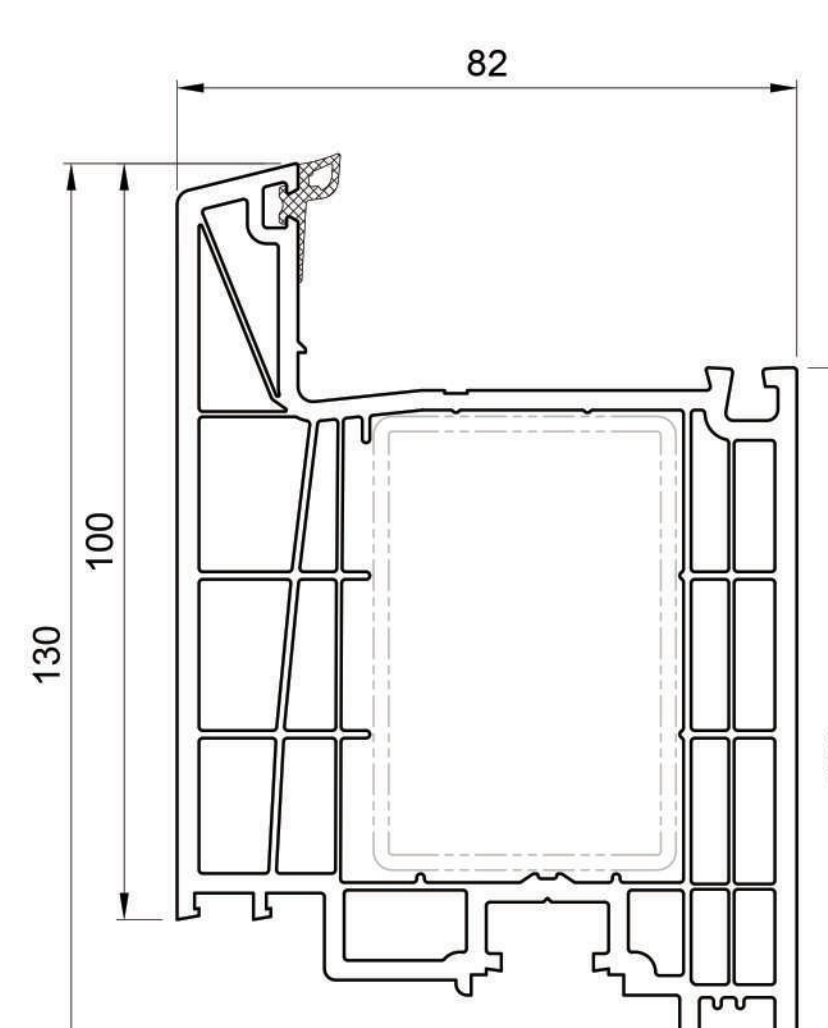
HP8930

Reinforcement: 40x59 VS8030
Steel tube: 40x45 VS8450
Tube part: 40x45 pre-milled MT8530
Weldable corner connector: MT8540
Clamping lever: 207 910



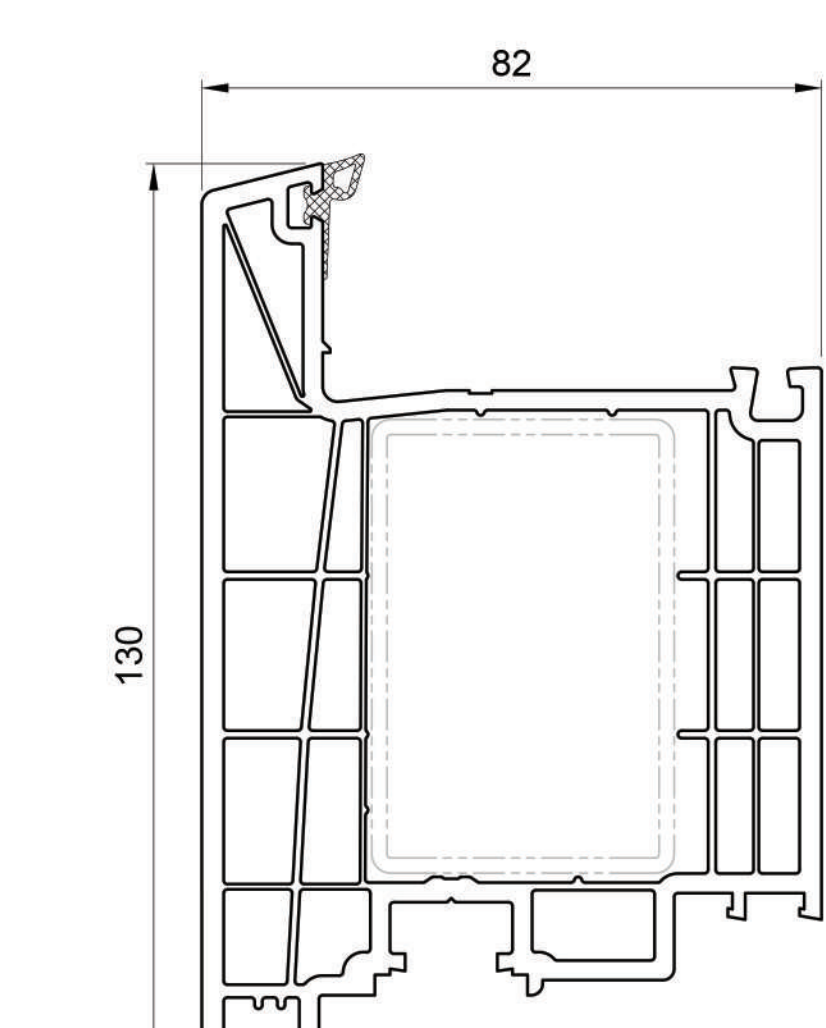
HO8540

Steel tube: 40x45 VS8450
Tube part: 40x45 pre-milled MT8530
Weldable corner connector: MT8540
Clamping lever: 207 910



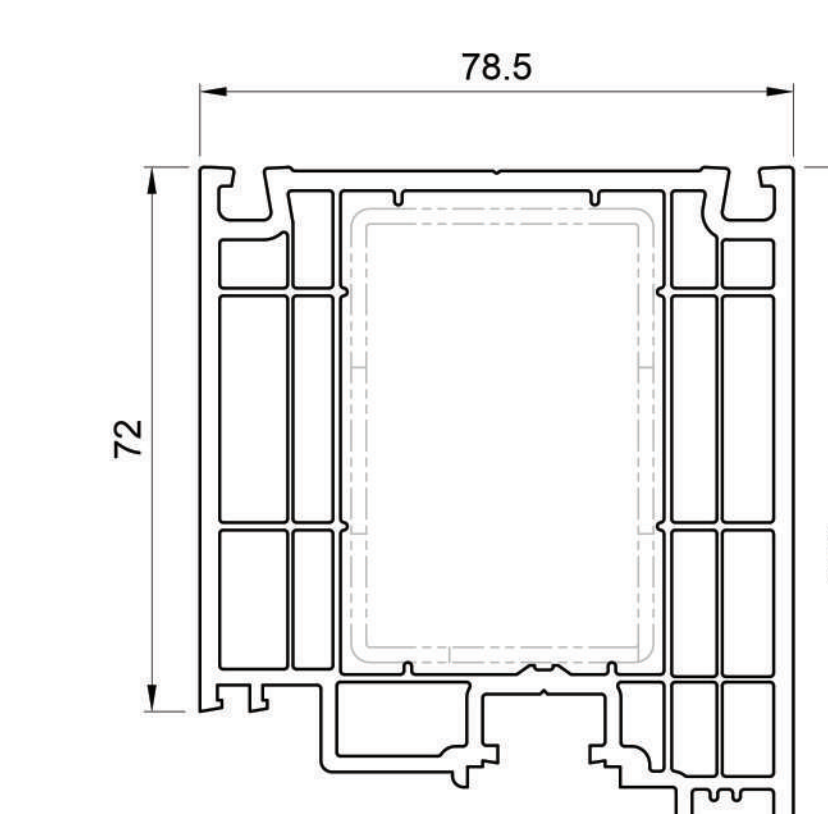
HP8550

Steel tube: 40x60 AR4630
Tube part: 40x60 pre-milled MT8550
Weldable corner connector: MT4631
Clamping lever: MT4640



HP8560

Steel tube: 40x60 AR4630
Tube part: 40x60 pre-milled MT8550
Weldable corner connector: MT4631
Clamping lever: MT4640



HO8580

Steel tube: 40x60 AR4630
Tube part: 40x60 pre-milled MT8550
Weldable corner connector: MT4631
Clamping lever: MT4640