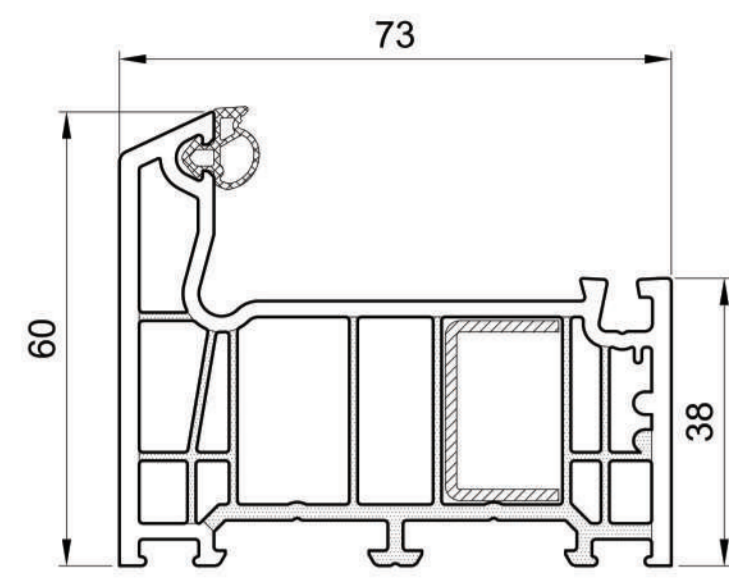




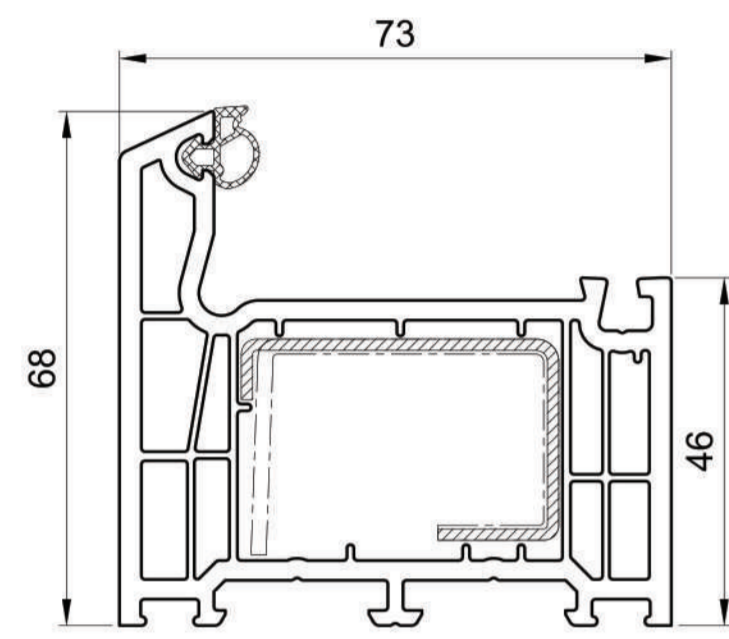
**Shark Evolution<sup>®</sup> 73**

**FIȘA TEHNICĂ**

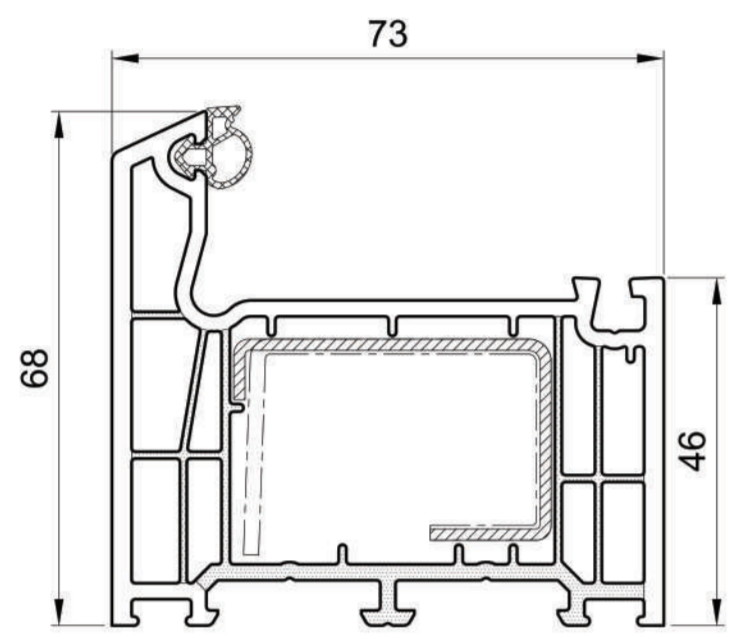
**Frames**



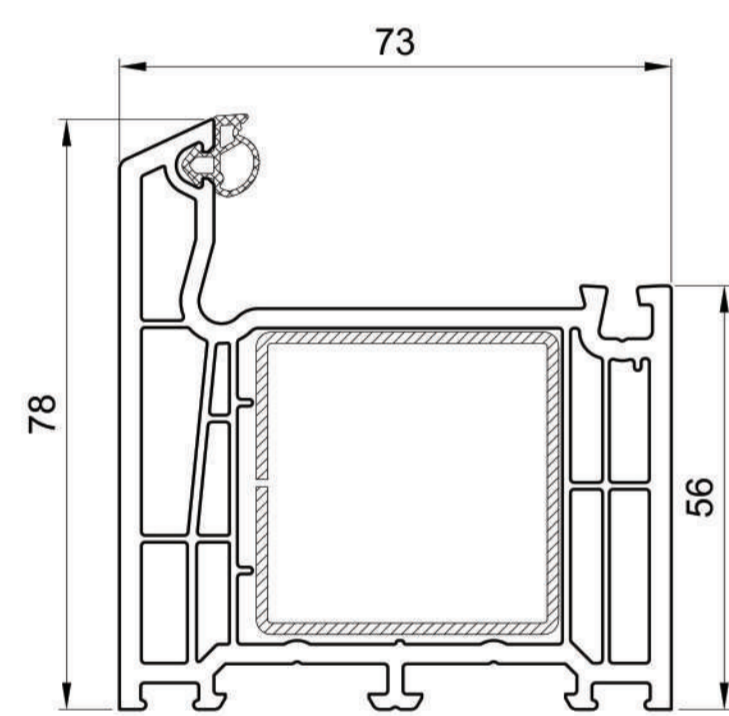
**HP1201**  
Reinforcement: 23,8/15/1,5  
VS1200



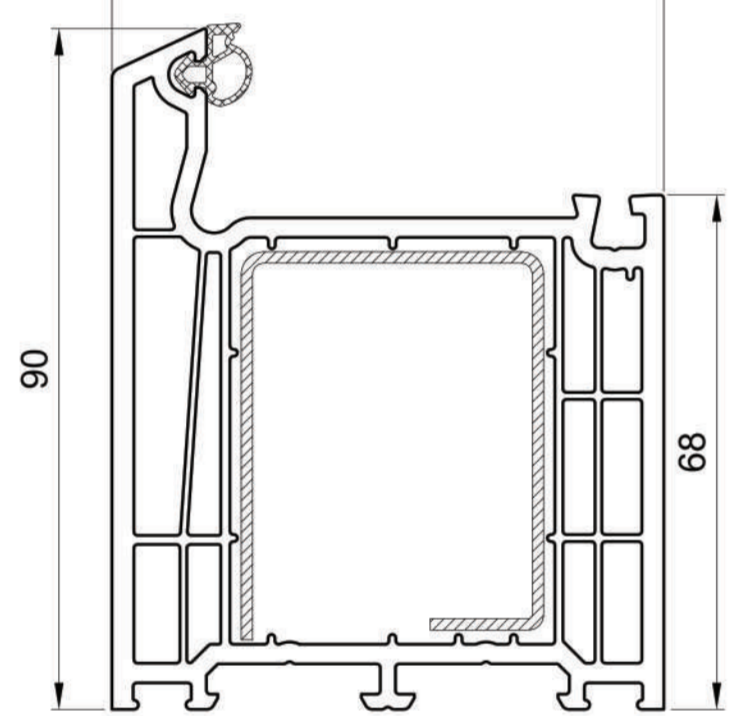
**HP1220**  
Reinforcement: 16/26,6/42/8/1,5  
VS1020  
Reinforcement: 6/26,6/39,8/28,6/2,0  
VS1050  
Reinforcement: 16/26,6/42/8/1,25  
VS1120



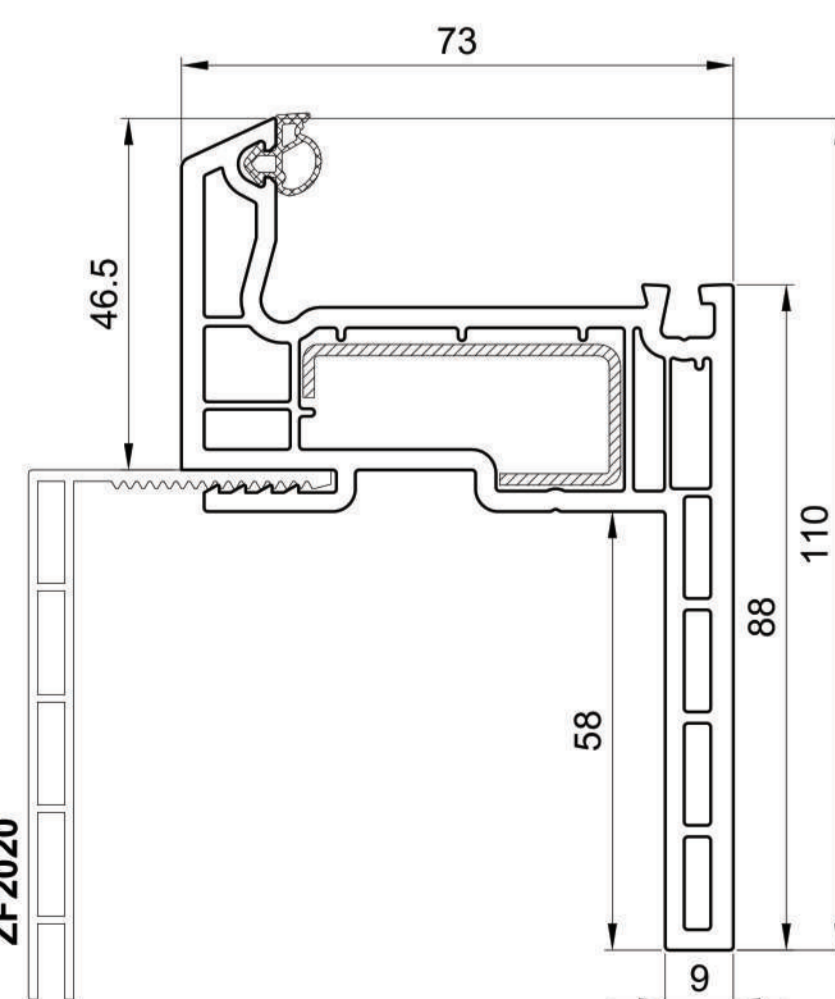
**HO1221**  
Reinforcement: 16/26,6/42/8/1,5  
VS1020  
Reinforcement: 6/26,6/39,8/28,6/2,0  
VS1050  
Reinforcement: 16/26,6/42/8/1,25  
VS1120



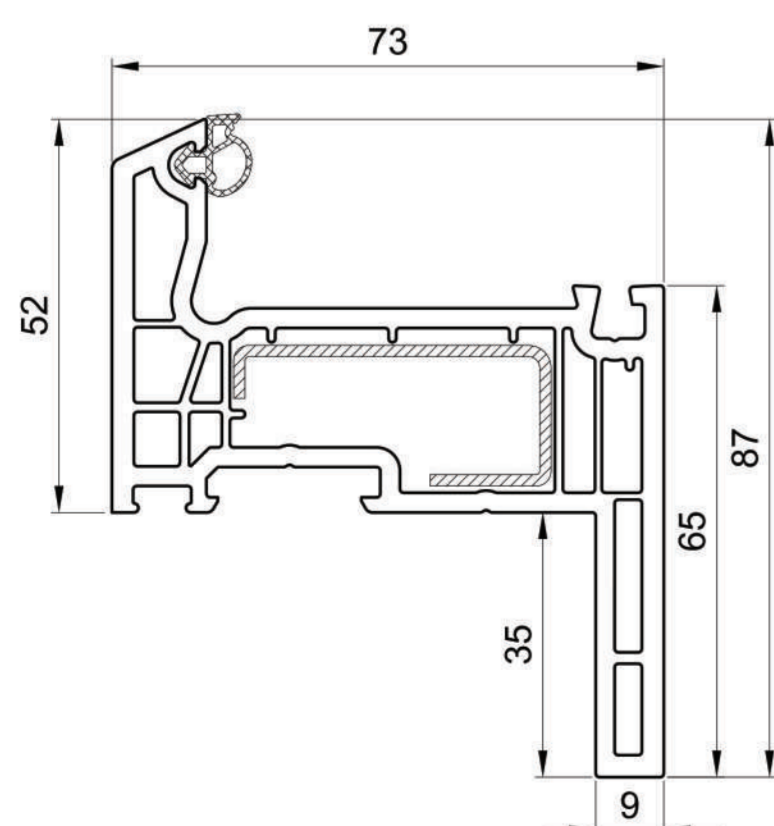
**HP1230**  
Reinforcement: 40/40/1,5  
715303  
Reinforcement  
for entrance door:  
17,5/40/40/40/1,5  
VS1230



**HP1240**  
Reinforcement: 15/50/40/51,3/1,5  
VS1030  
Reinforcement: 19/40/50/40/11/1,5  
AC4710  
Reinforcement: 40/50/40/30/2,0  
AC4090  
Reinforcement: 50/40/2,0  
AR1920

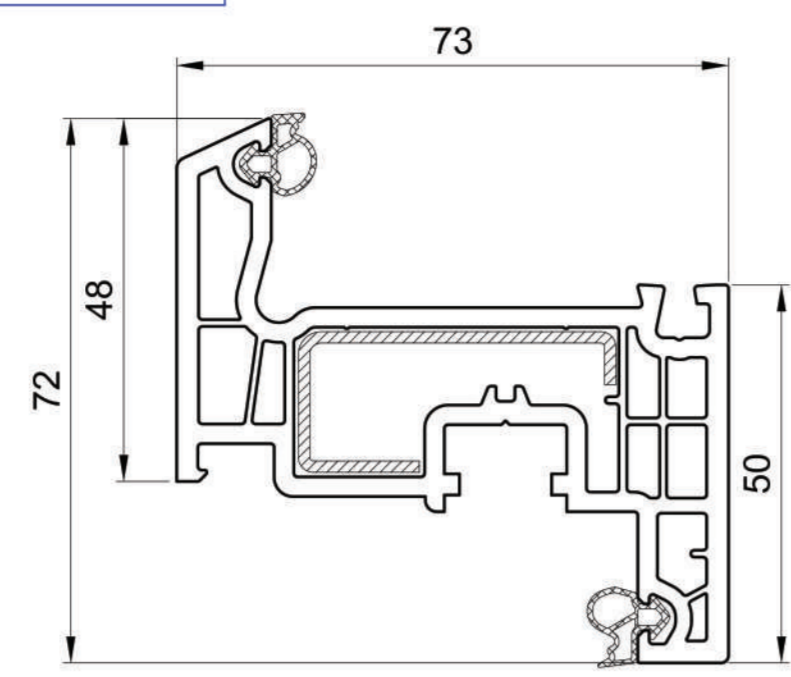


**HP1100**  
Reinforcement: 16/18,6/42/7/1,5  
VS1010

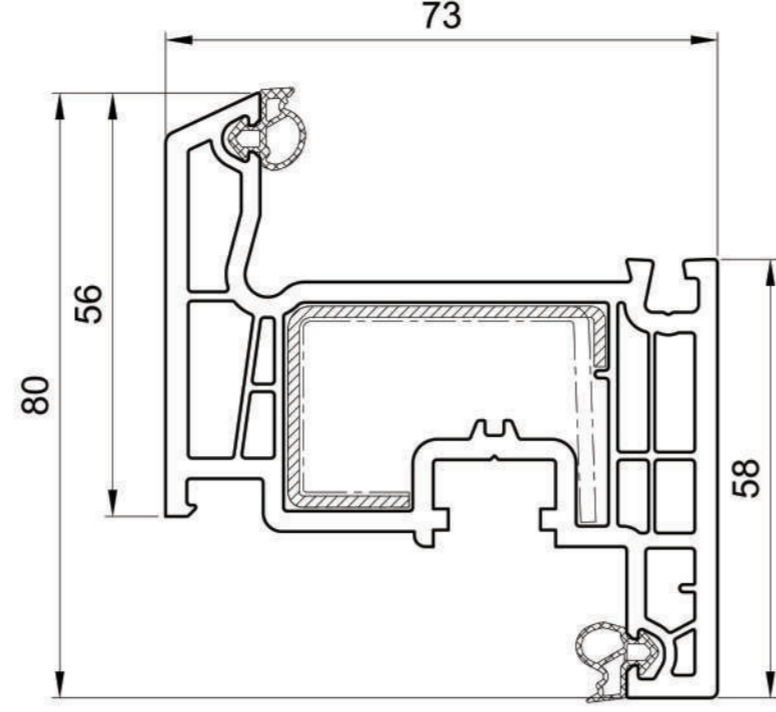


**HP1110**  
Reinforcement: 16/18,6/42/7/1,5  
VS1010

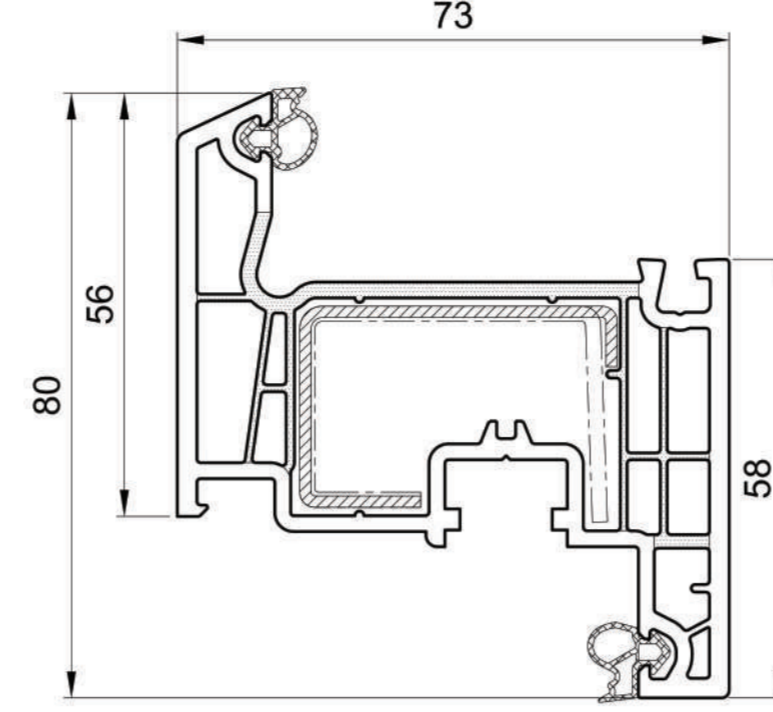
**Sashes**



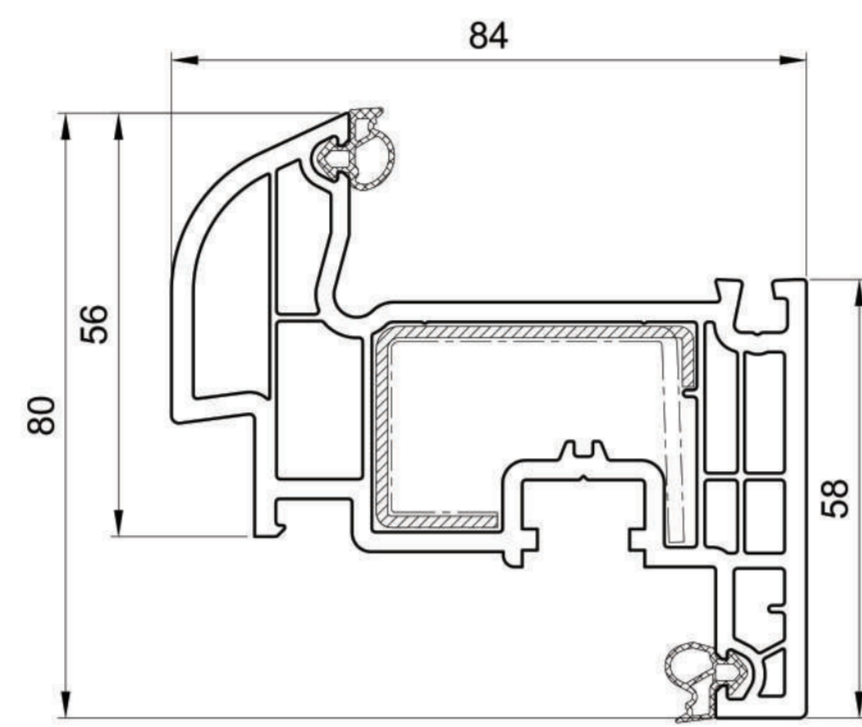
**HP1710**  
Reinforcement: 16/18,6/42/7/1,5  
VS1010



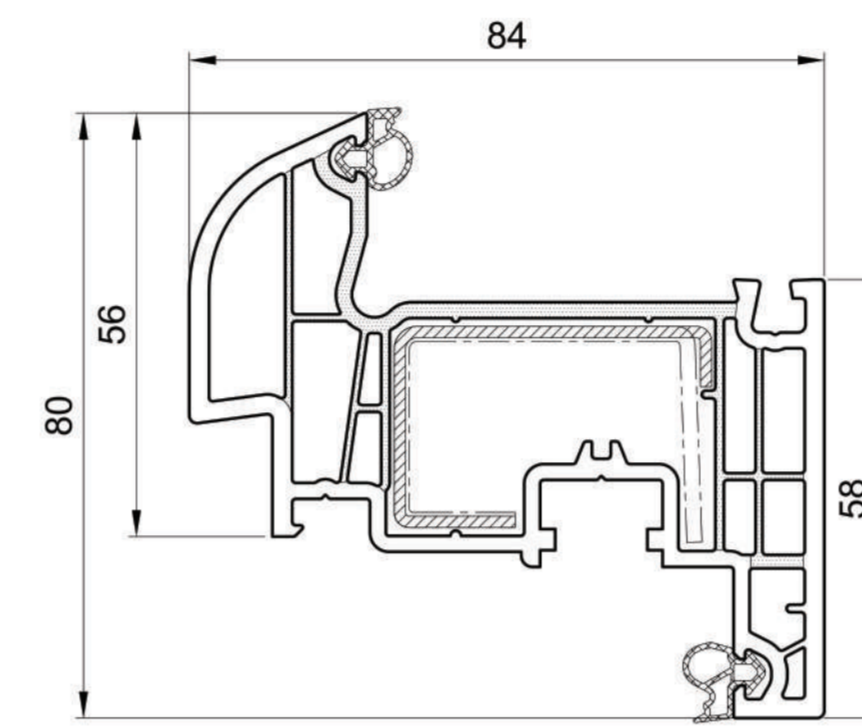
**HP1720**  
Reinforcement: 16/26,6/42/8/1,5  
VS1020  
Reinforcement: 16/26,6/39,8/28,6/2,0  
VS1050  
Reinforcement: 16/26,6/42/8/1,25  
VS1120



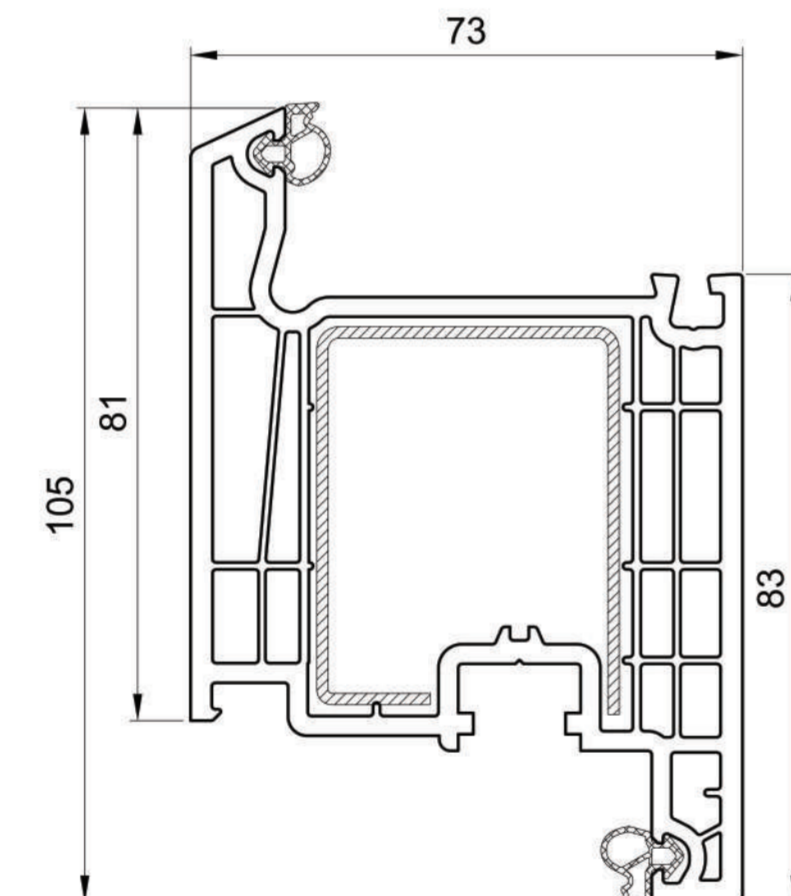
**HO1721**  
Reinforcement: 16/26,6/42/8/1,5  
VS1020  
Reinforcement: 16/26,6/39,8/28,6/2,0  
VS1050  
Reinforcement: 16/26,6/42/8/1,25  
VS1120



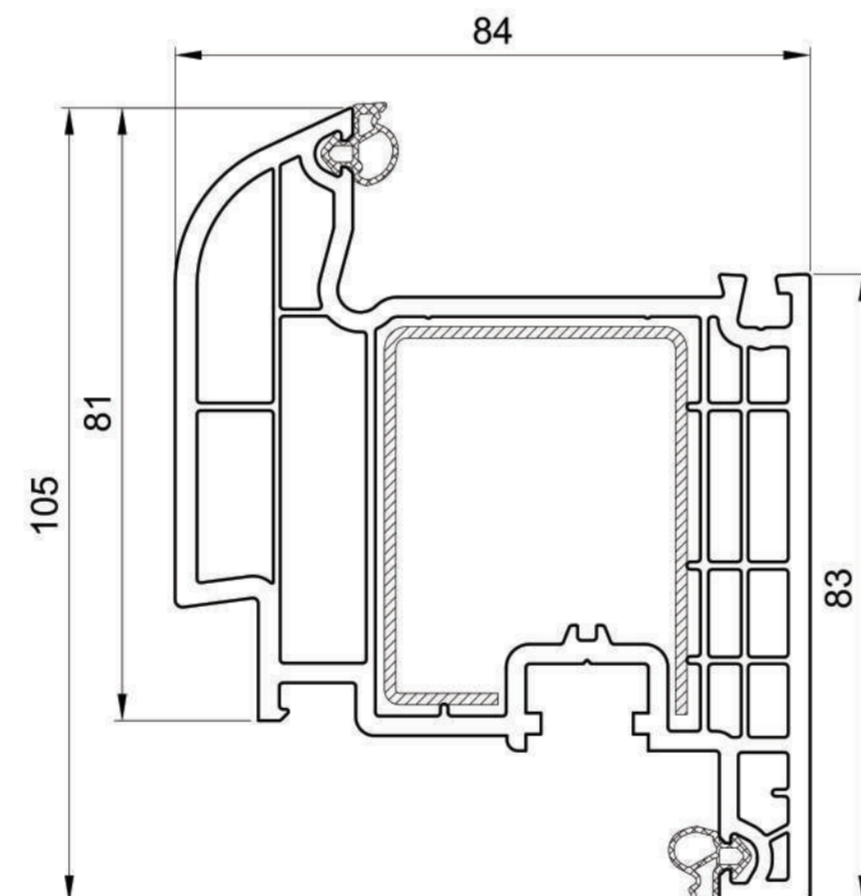
**HP1820**  
Reinforcement: 16/26,6/42/8/1,5  
VS1020  
Reinforcement: 16/26,6/39,8/28,6/2,0  
VS1050  
Reinforcement: 16/26,6/42/8/1,25  
VS1120



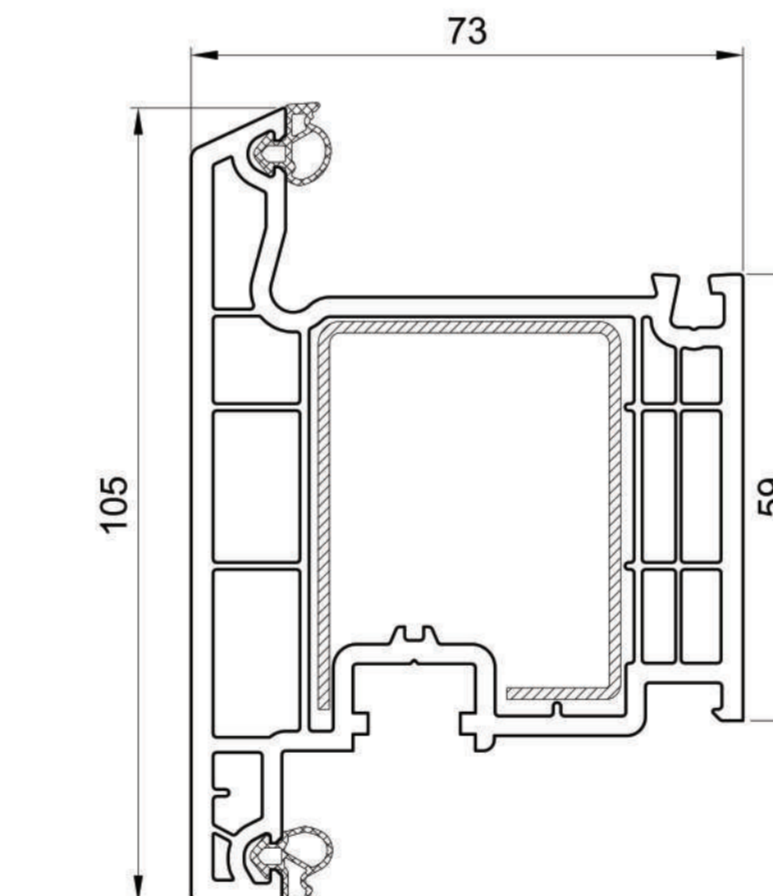
**HO1821**  
Reinforcement: 16/26,6/42/8/1,5  
VS1020  
Reinforcement: 16/26,6/39,8/28,6/2,0  
VS1050  
Reinforcement: 16/26,6/42/8/1,25  
VS1120



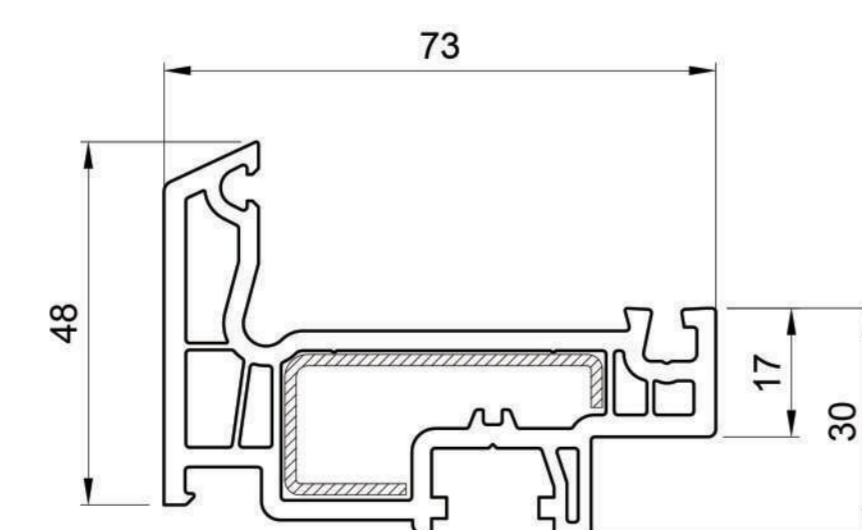
**HP1730**  
Reinforcement: 15/50/40/51,3/1,5  
VS1030  
Reinforcement: 40/40/2,0  
415040-74  
Tube part: 40/40/2,0  
MT1600  
Weldable corner connector  
418036



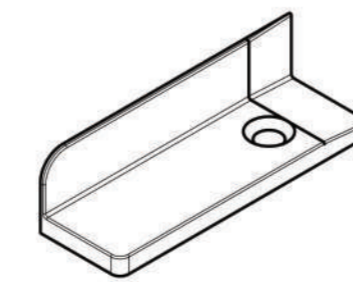
**HP1830**  
Reinforcement: 15/50/40/51,3/1,5  
VS1030  
Reinforcement: 40/40/2,0  
415040-74  
Tube part: 40/40/2,0  
MT1600  
Weldable corner connector  
418036



**HP1540**  
Reinforcement: 15/50/40/51,3/1,5  
VS1030  
Reinforcement: 40/40/2,0  
415040-74  
Tube part: 40/40/2,0  
MT1600  
Weldable corner connector  
418036

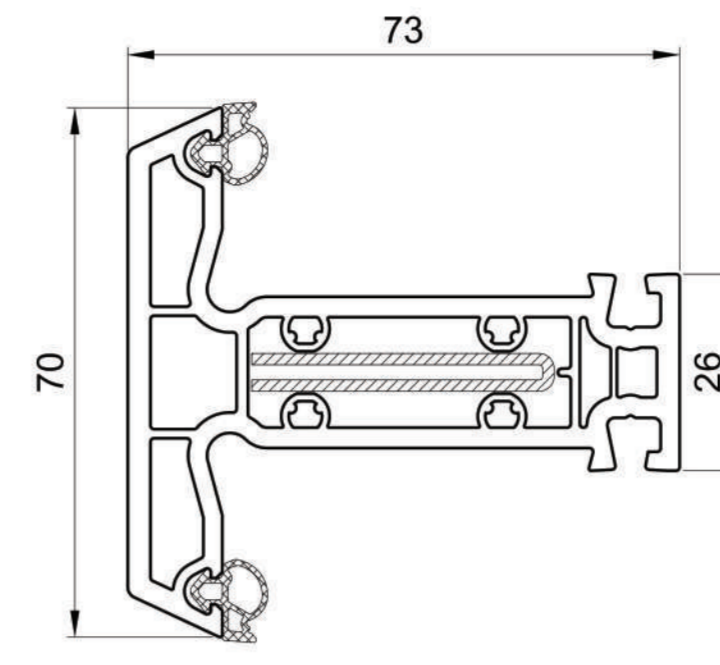


**HP1713**  
Reinforcement: 16/18,6/42/7/1,5  
VS1010

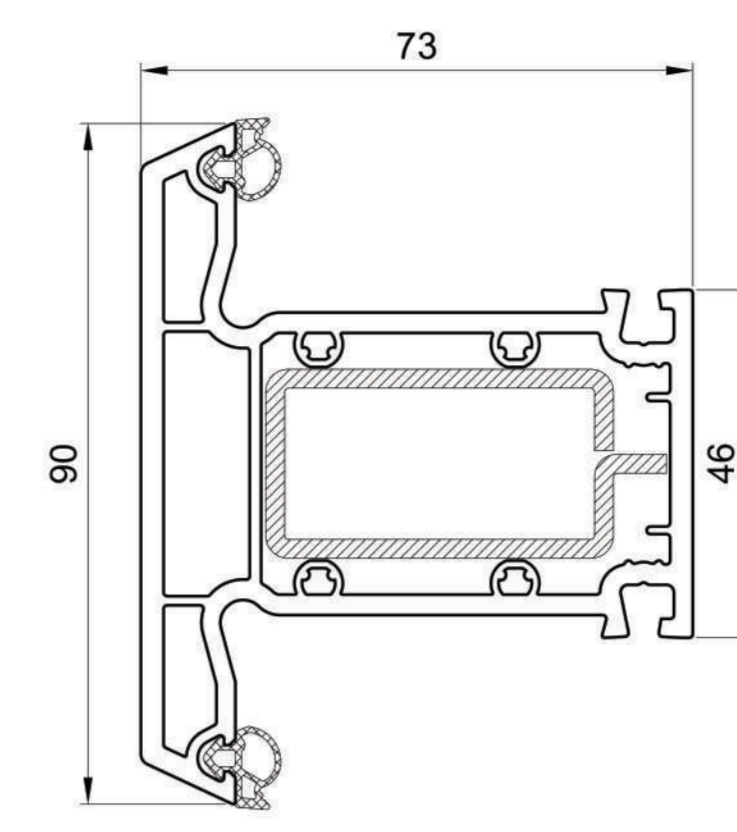


**ES1713**  
Cover cap

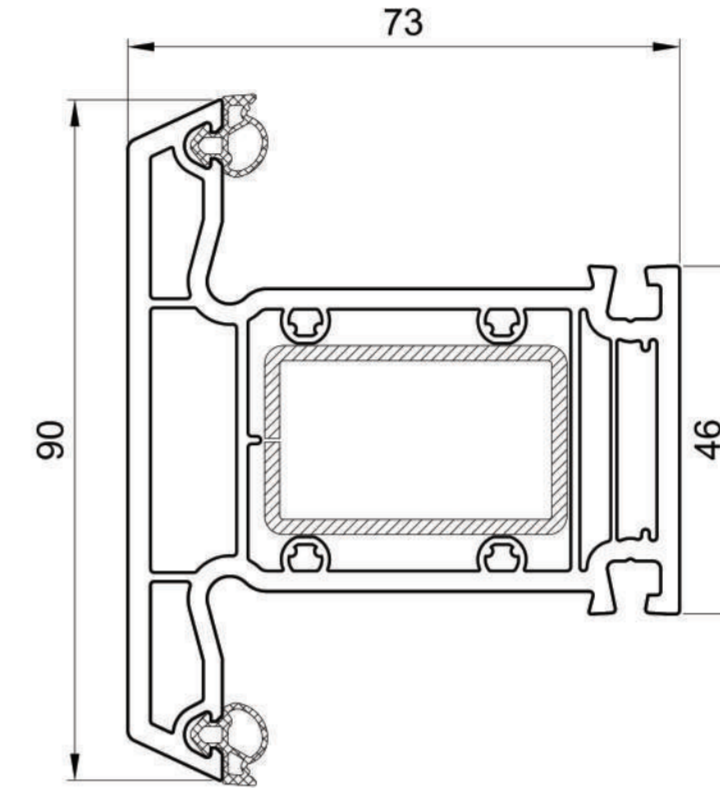
**Mullions**



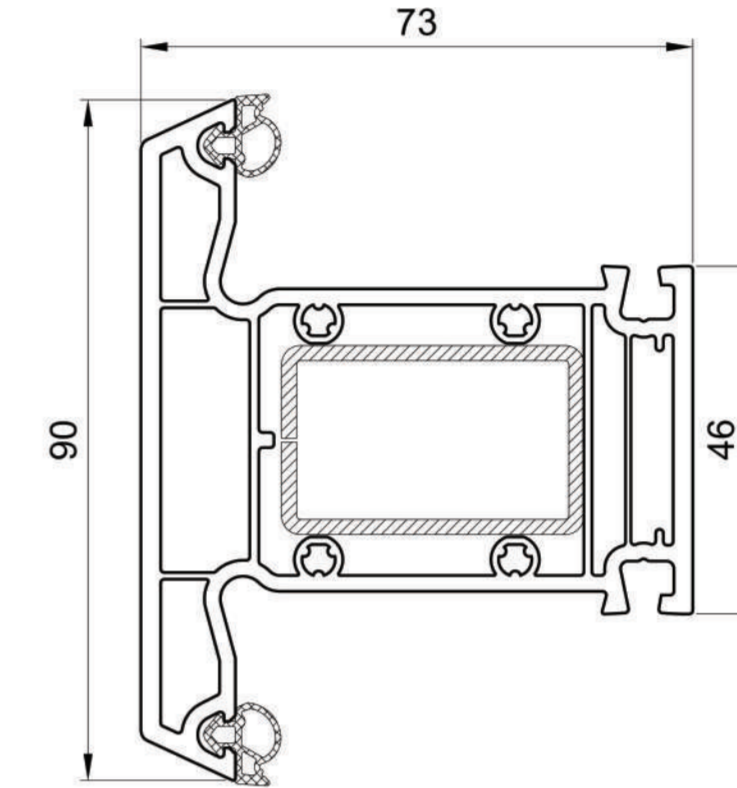
**HP3000**  
Reinforcement: 40/5/40/1,5  
VS3000  
Post coupler  
ZS3000



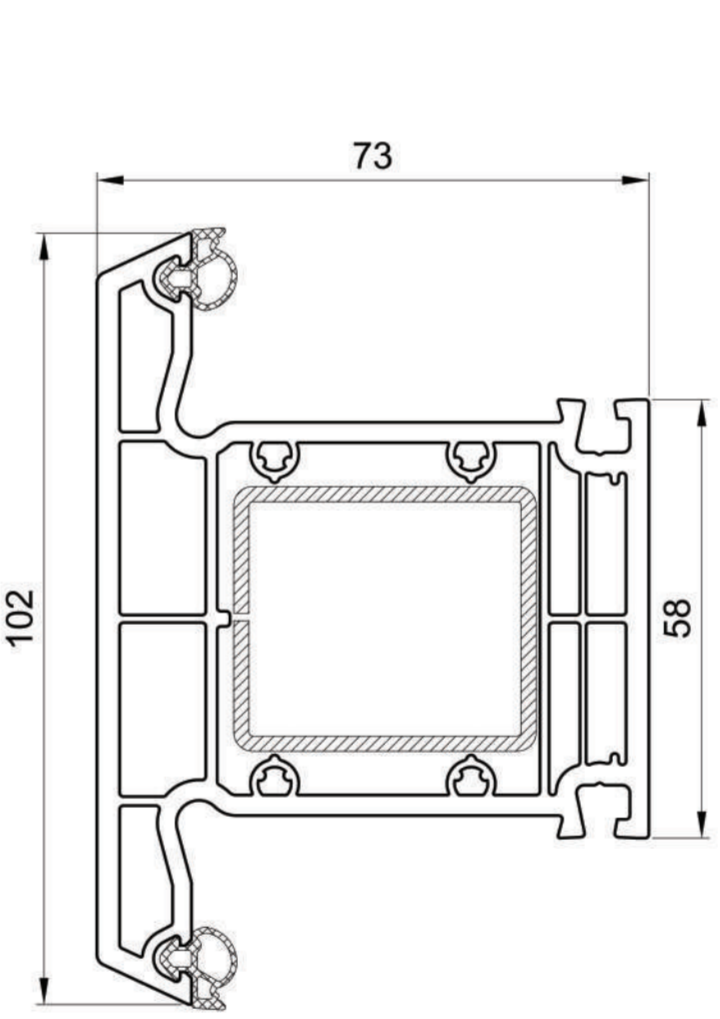
**HP3010**  
Reinforcement: 53/46/25/46/53/2,5  
VS3010  
Post coupler  
ZS3020



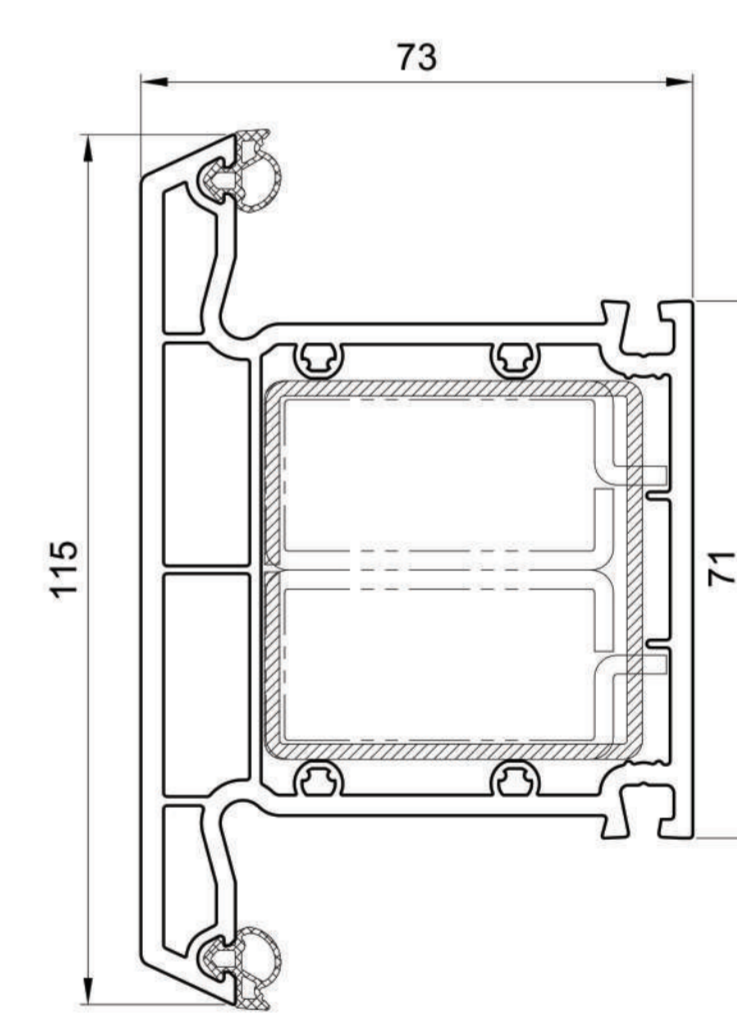
**HP3020**  
Reinforcement: 25/40/2,0  
VS3020  
Post coupler  
ZS3020  
Post coupler for various angles  
MT3220



**HO3020**  
Reinforcement: 25/40/2,0  
VS3020  
Post coupler  
ZS3020  
Post coupler for various angles  
MT3220

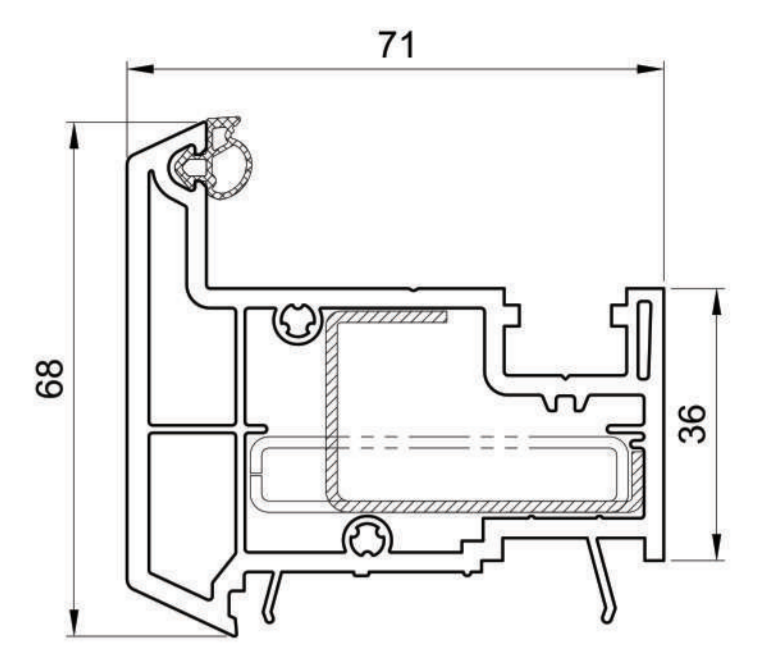


**HP3030**  
Reinforcement: 35/40/2,0  
VS3030  
Post coupler  
ZS3030

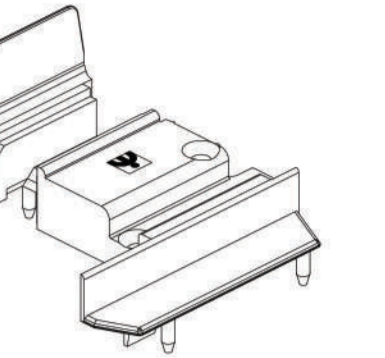


**HP3040**  
Reinforcement: 50/50/2,0  
VS3040  
Reinforcement: 53/46/25/46/53/2,5  
VS3010  
Post coupler  
ZS3040

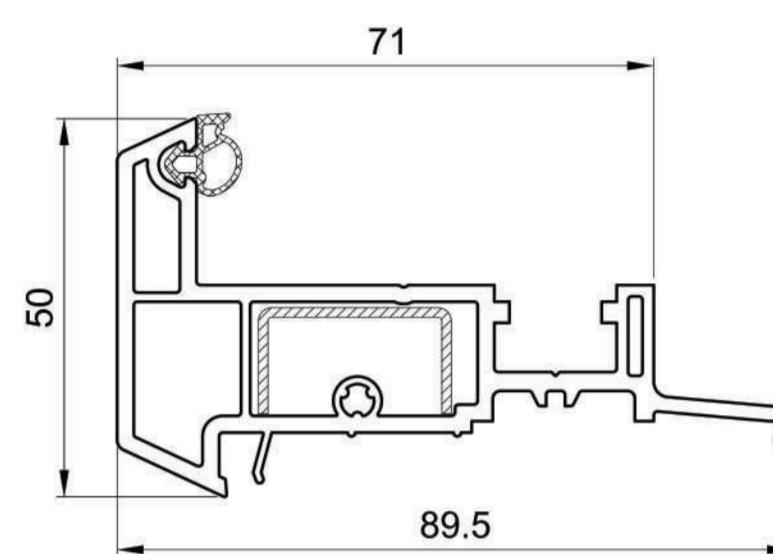
**Overlap bars**



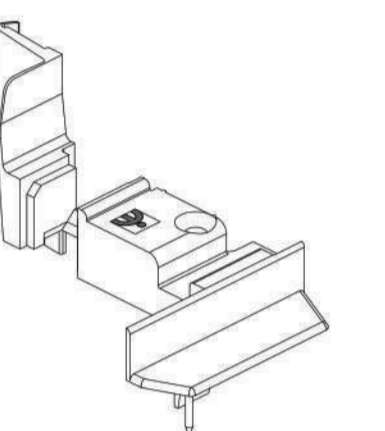
**HP3600**  
Reinforcement: 16/26,6/42/8/1,25  
VS1120  
Reinforcement: 16/26,6/42/8/1,5  
VS1020  
Reinforcement: 10/50/1,5  
405015



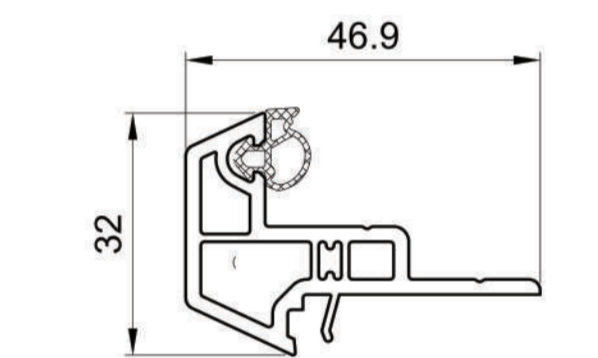
**ES3600**  
End cap



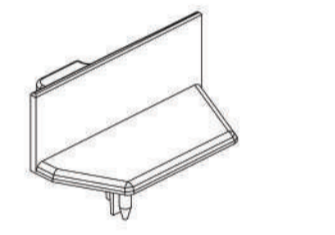
**HP3510**  
Reinforcement: 14/25,5/14/1,25  
AU4170



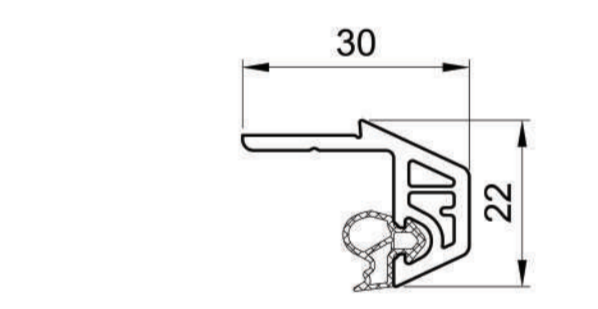
**ES3510**  
End cap



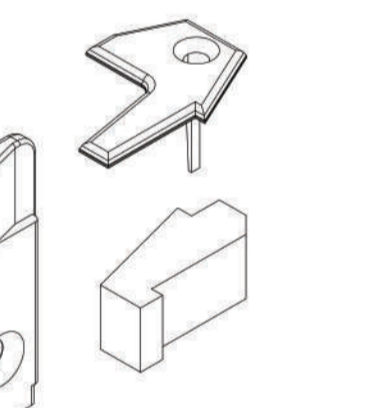
**HP3520**  
Floating mullion, exterior



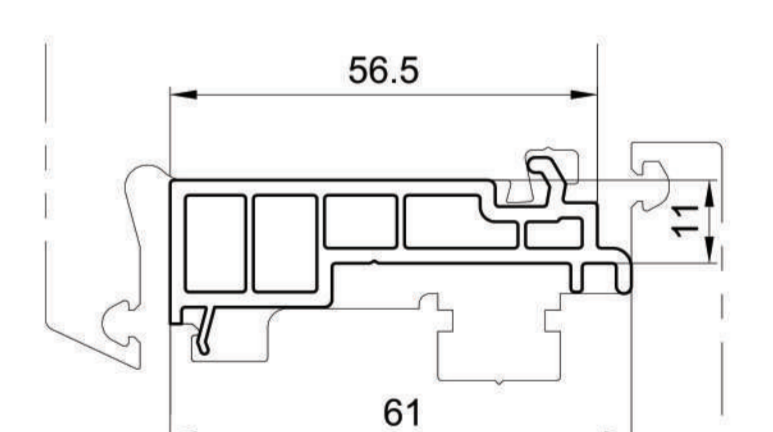
**ES3520**  
End cap



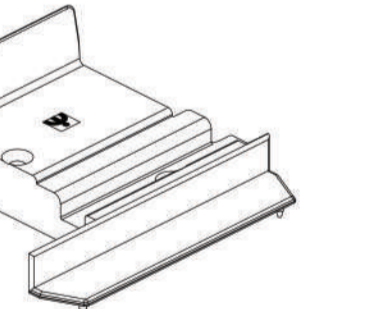
**HP3530**  
Floating mullion, interior



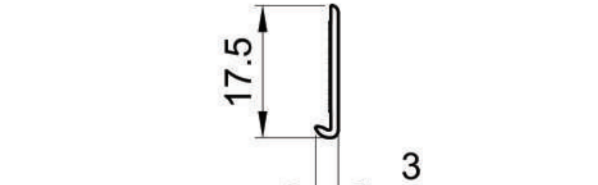
**ZS3530**  
End cap set



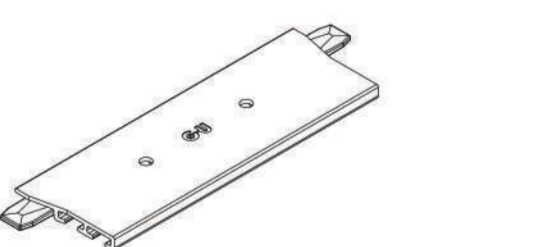
**NP1180**  
Floating mullion coupler



**ES1180**  
End cap for  
NP1180 with  
HP3010 and  
HP3020, HO3020

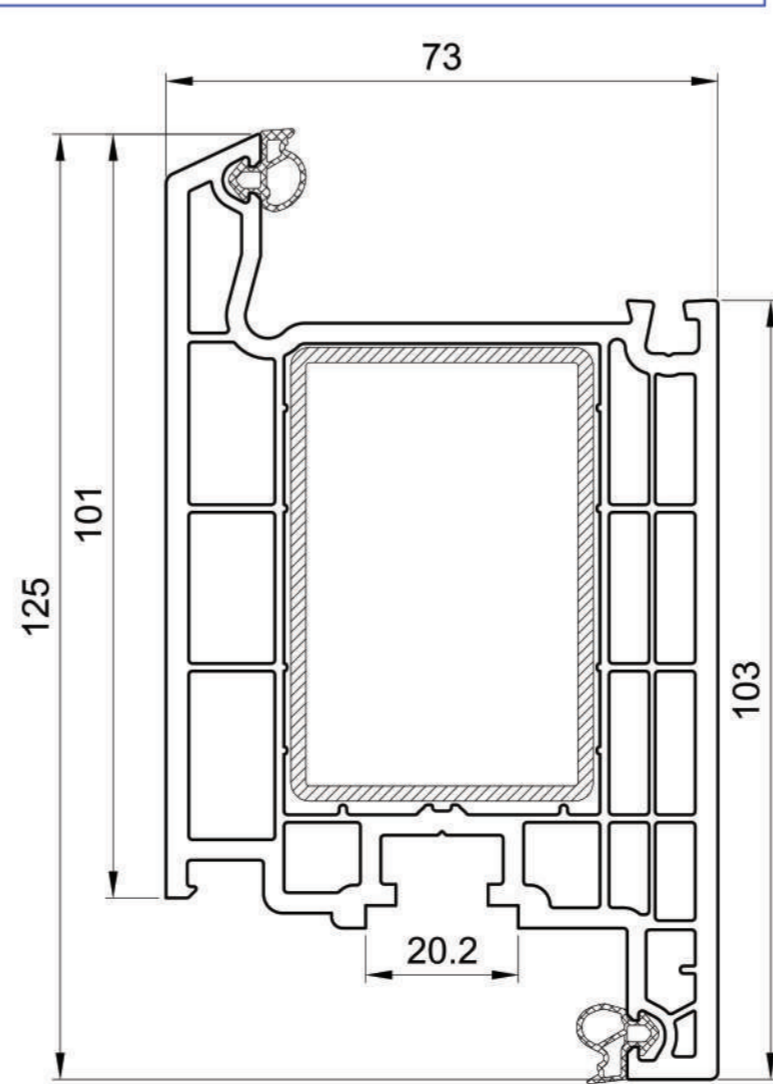


**NP3510**  
Cover profile  
self-adhesive

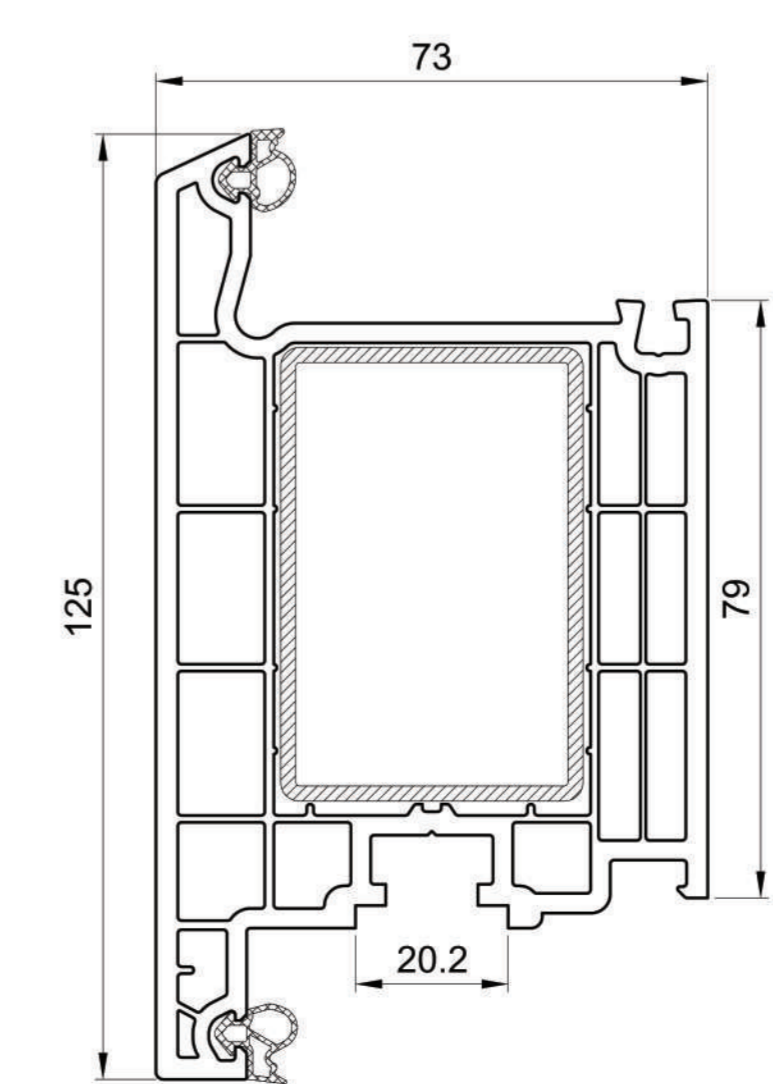


**ES1025**  
Floating mullion adapter  
for HP3600 / HP3510

**Entrance door leaves**



**HP1550**  
Reinforcement: 40/60/2,0  
AR4630  
Tube part: 40/60/2,0  
MT1550  
Weldable corner connector  
MT4630  
Clamping lever  
MT4640



**HP1560**  
Reinforcement: 40/60/2,0  
AR4630  
Tube part: 40/60/2,0  
MT1550  
Weldable corner connector  
MT4630  
Clamping lever  
MT4640