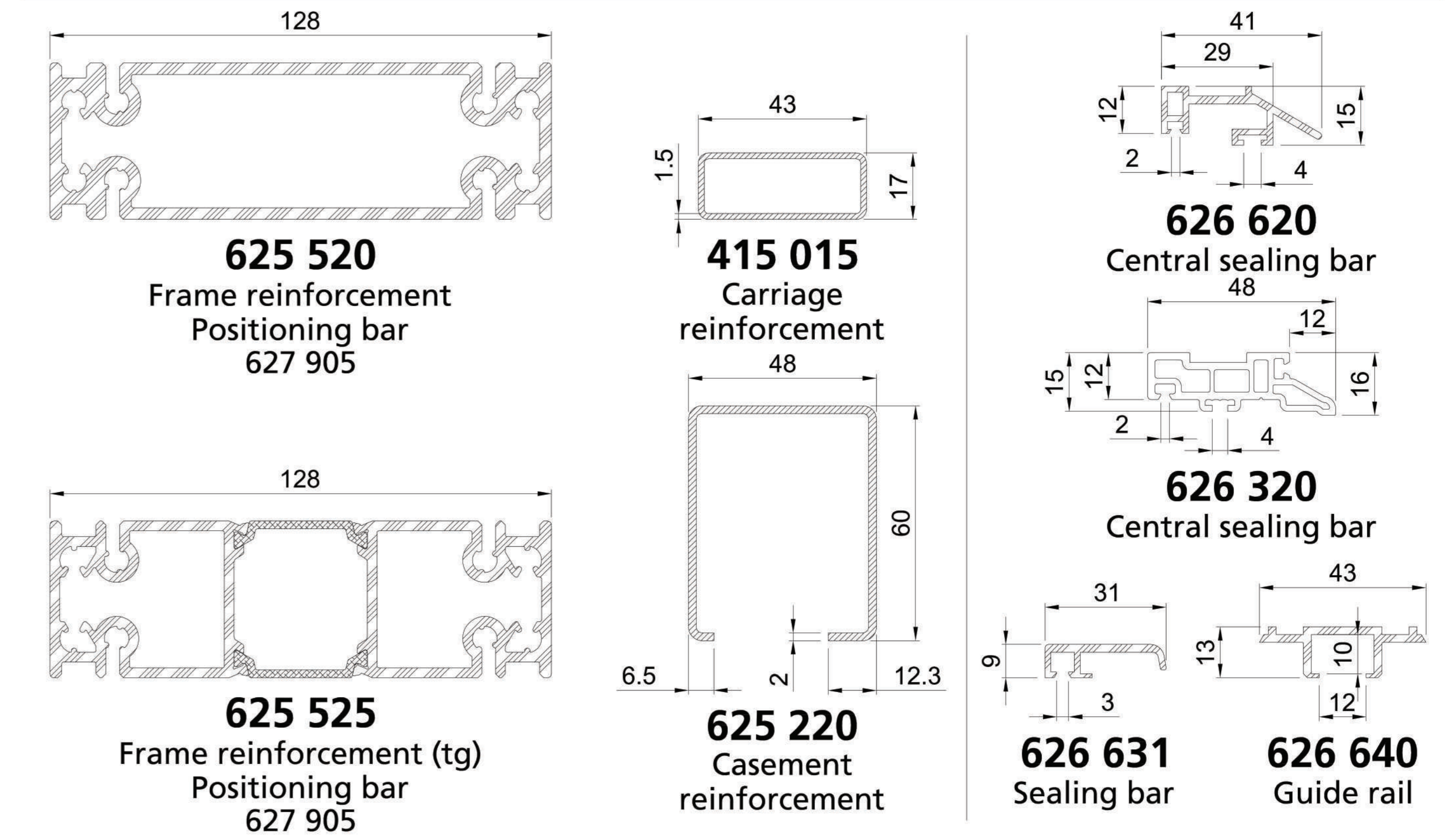
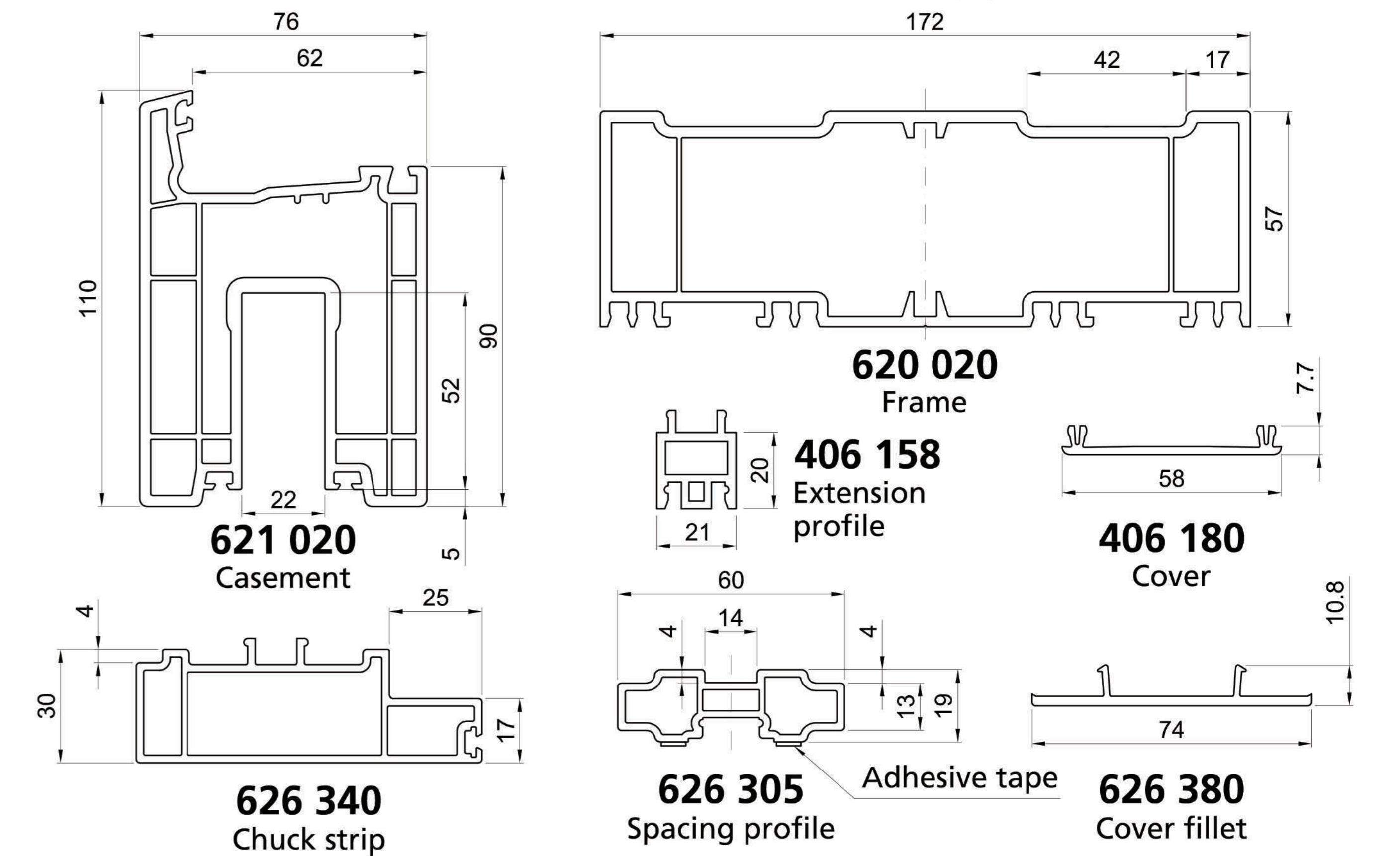
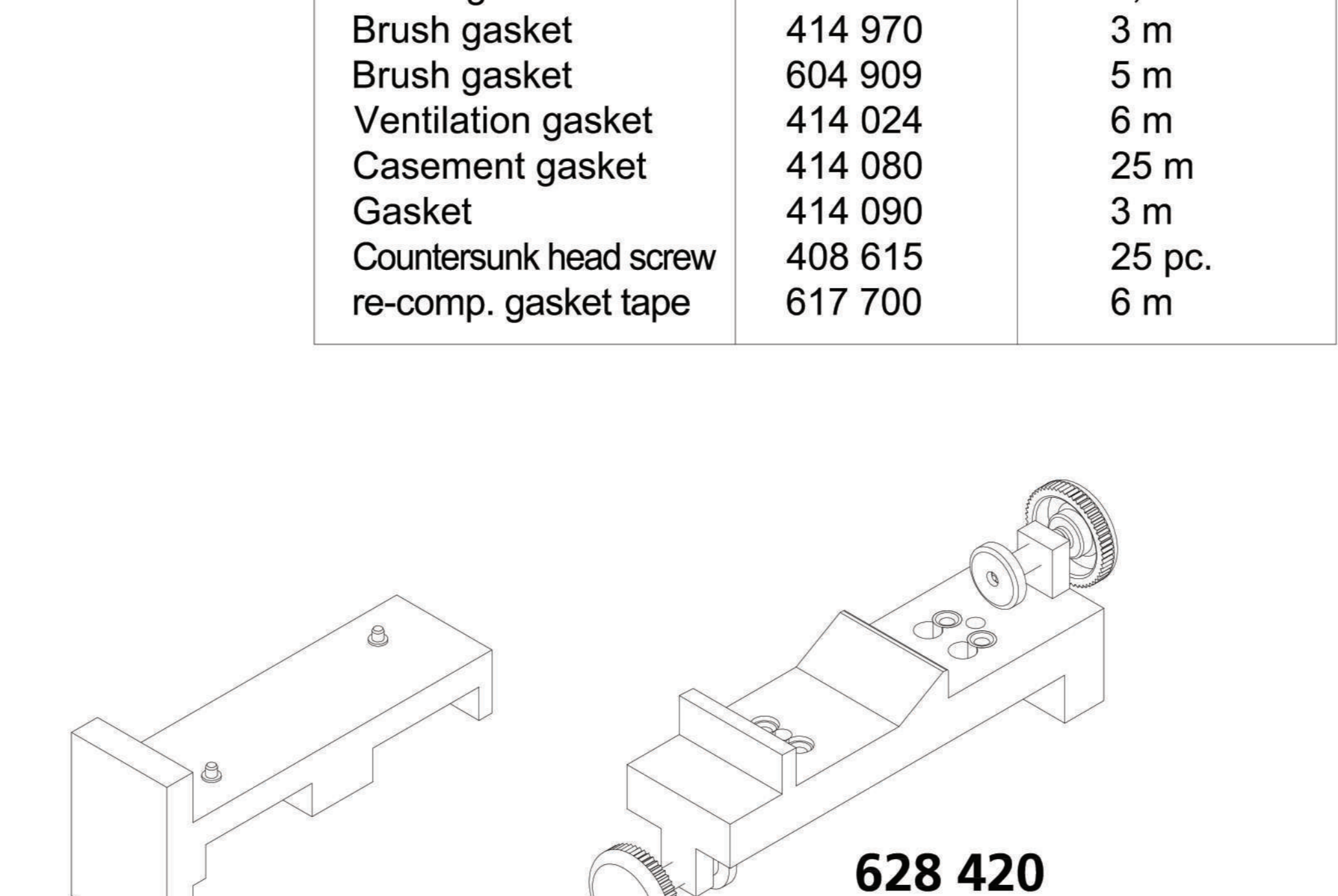
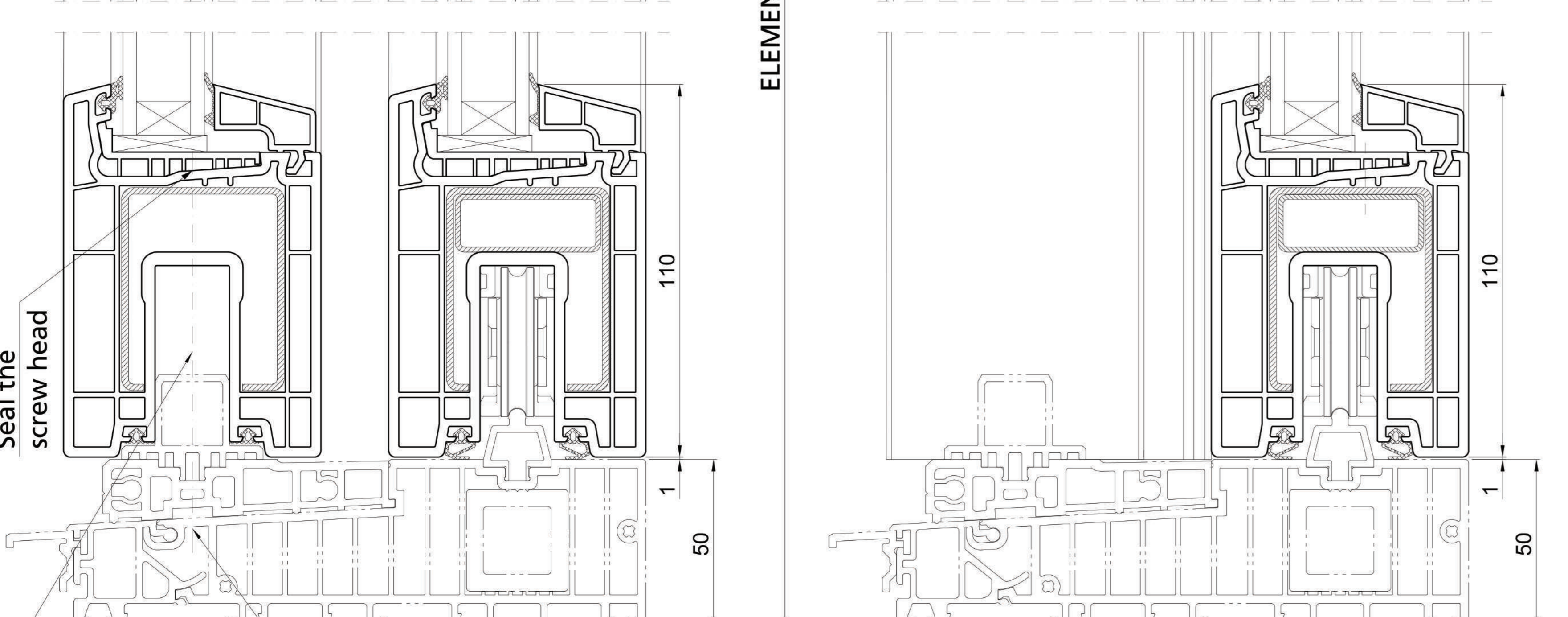
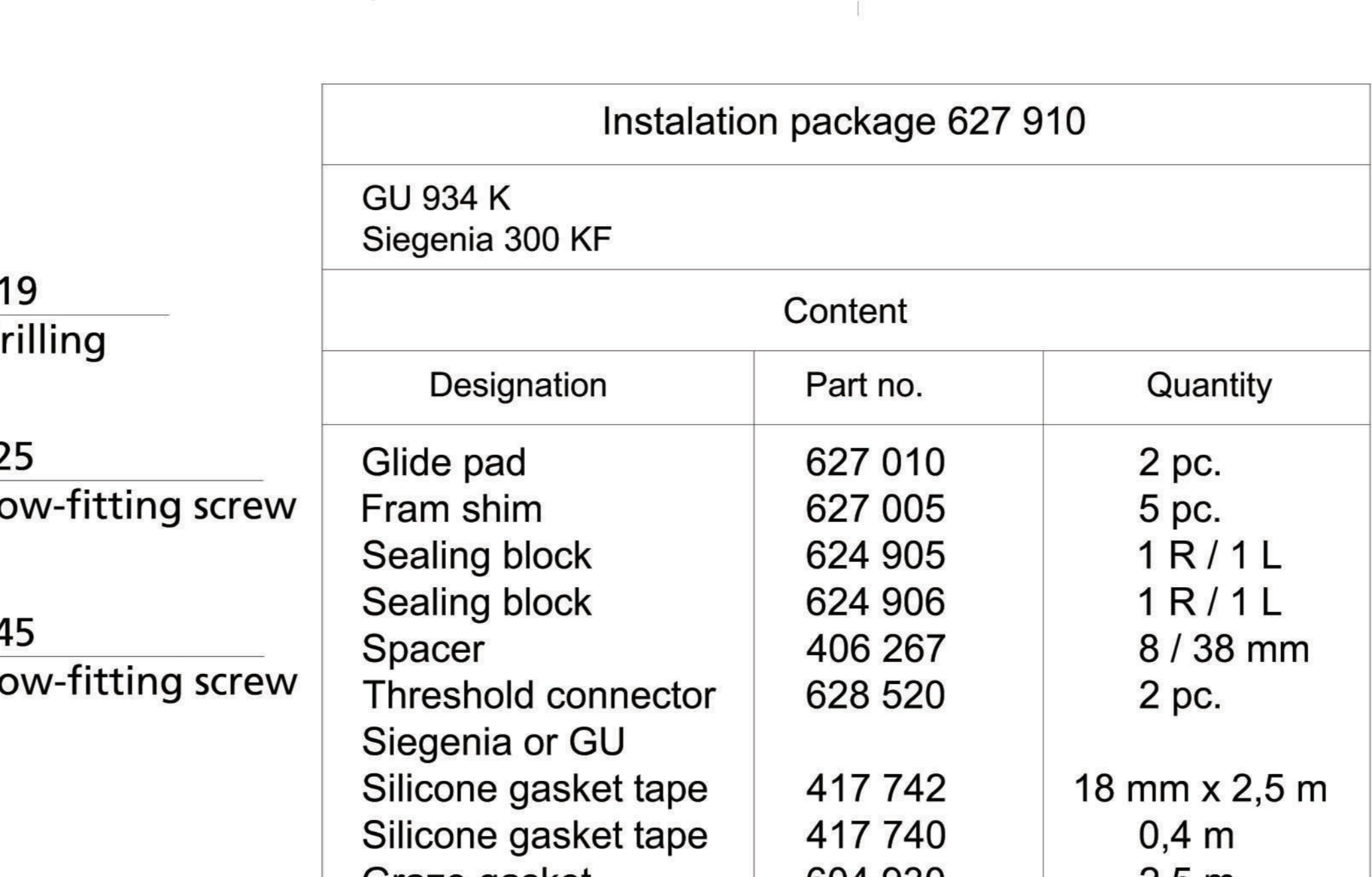
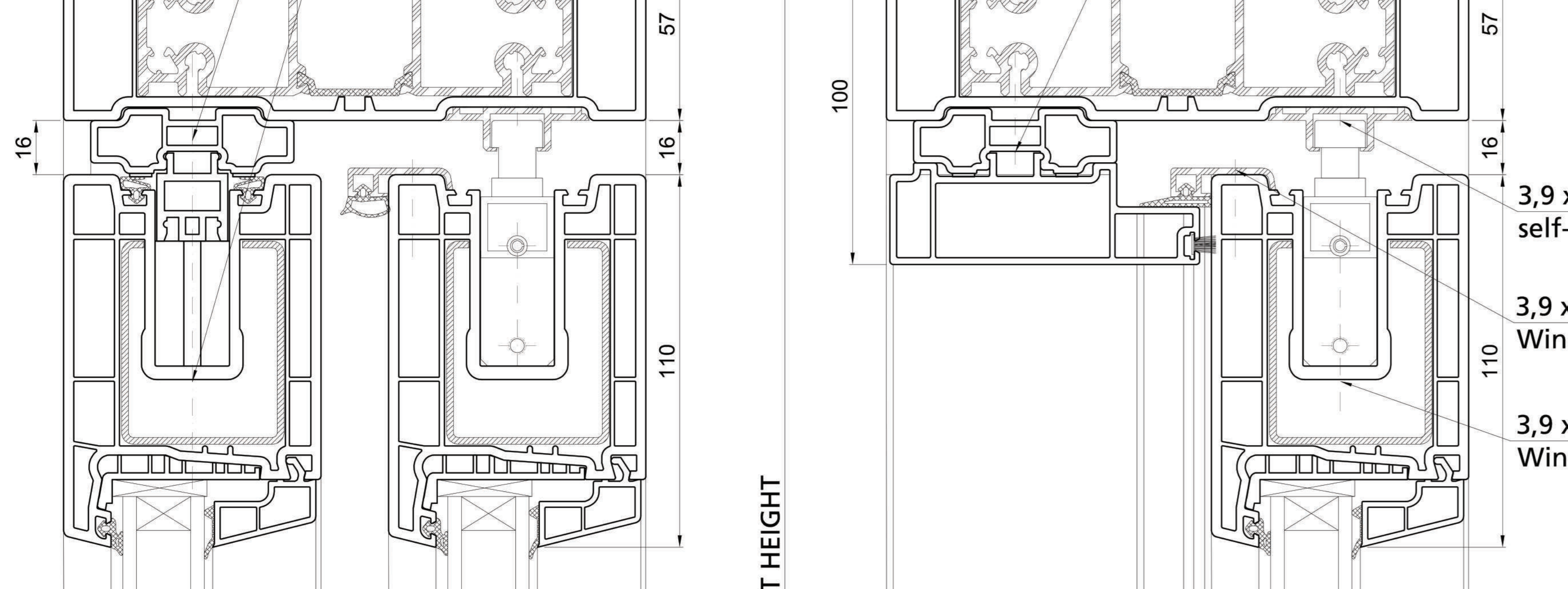
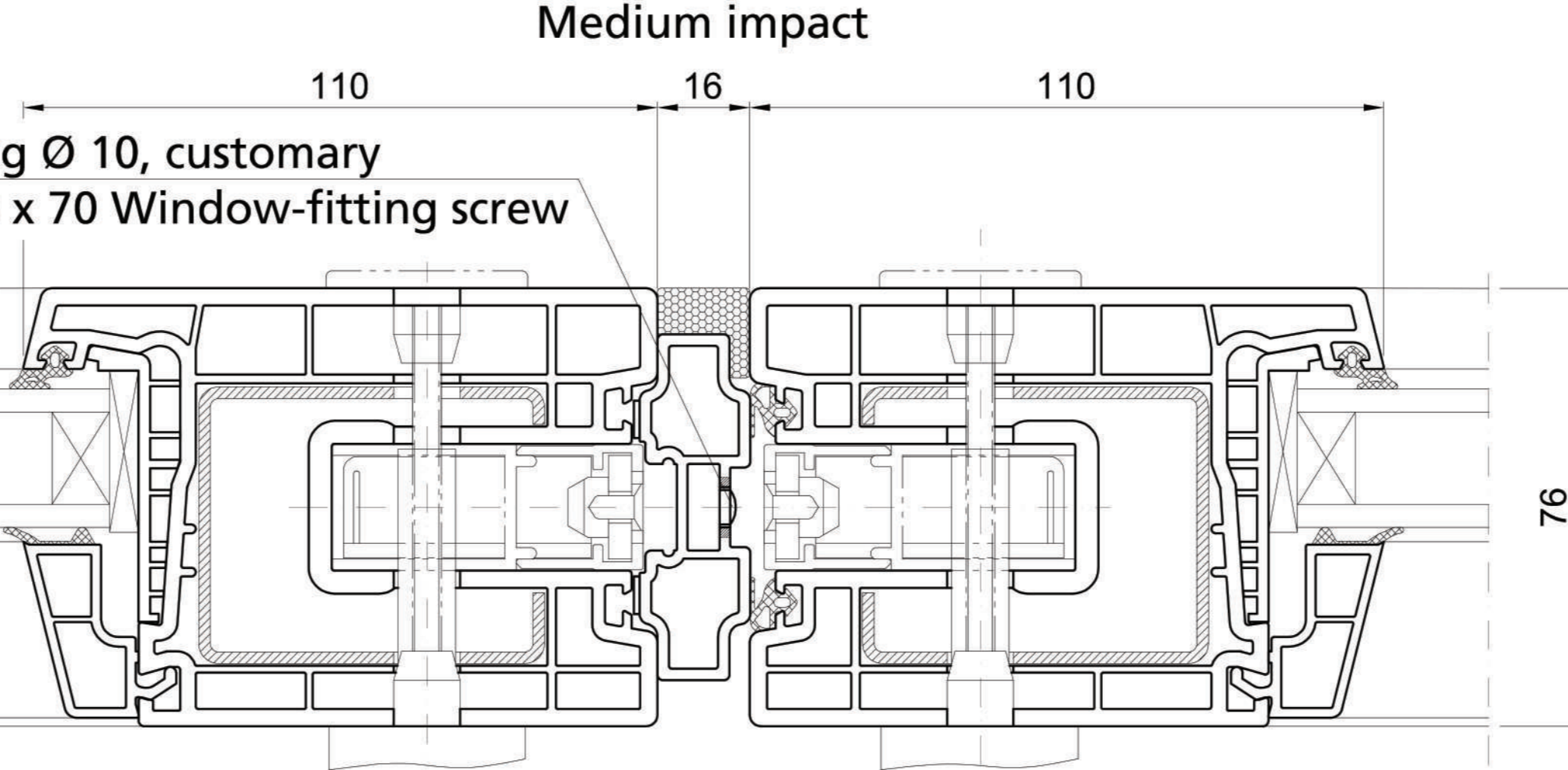
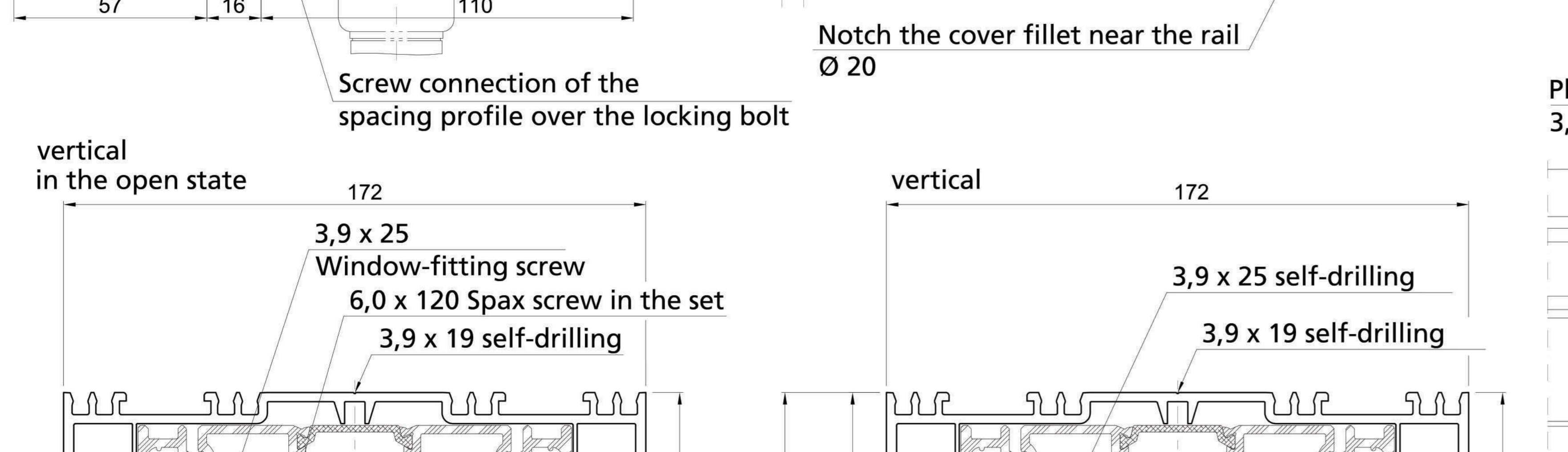
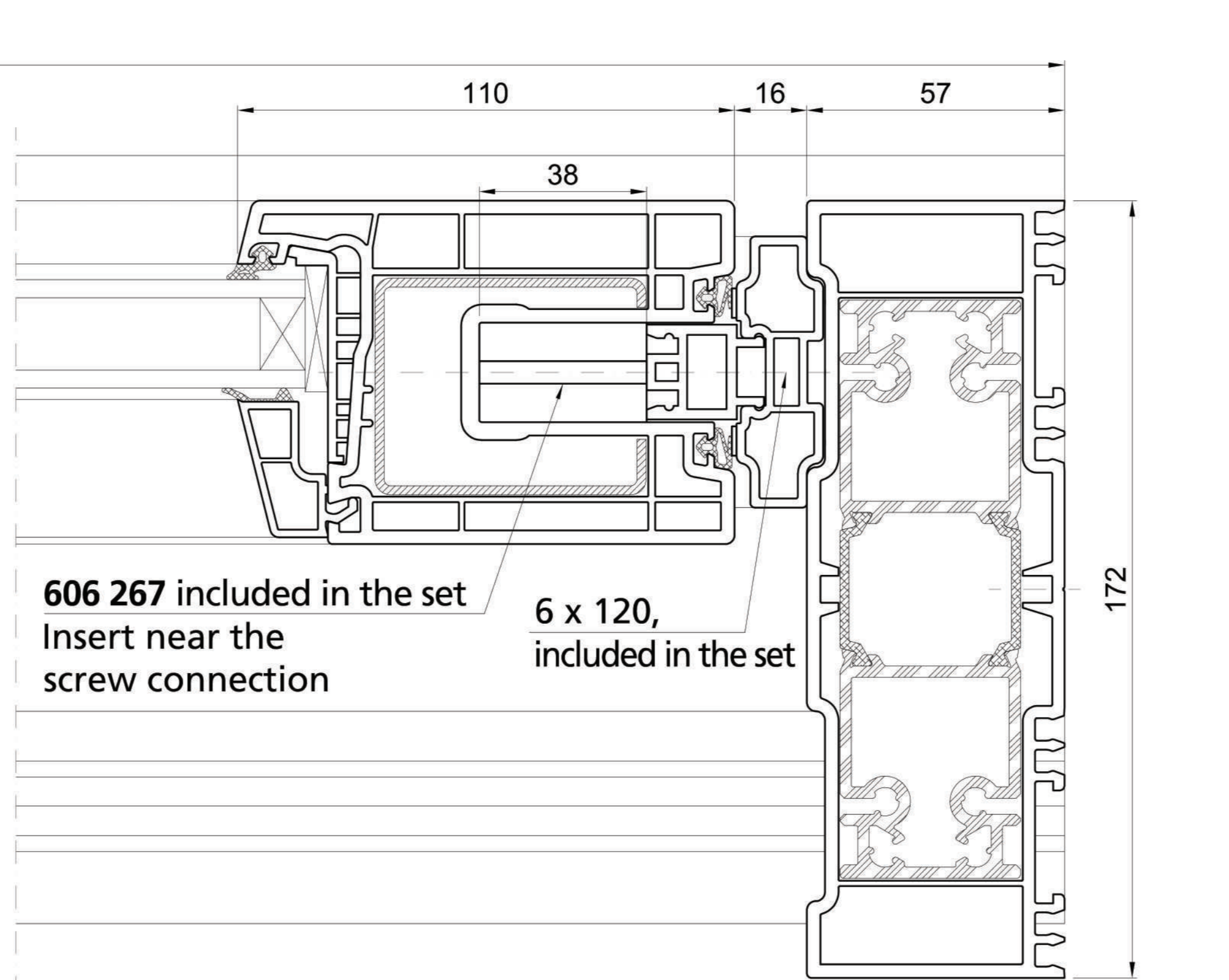
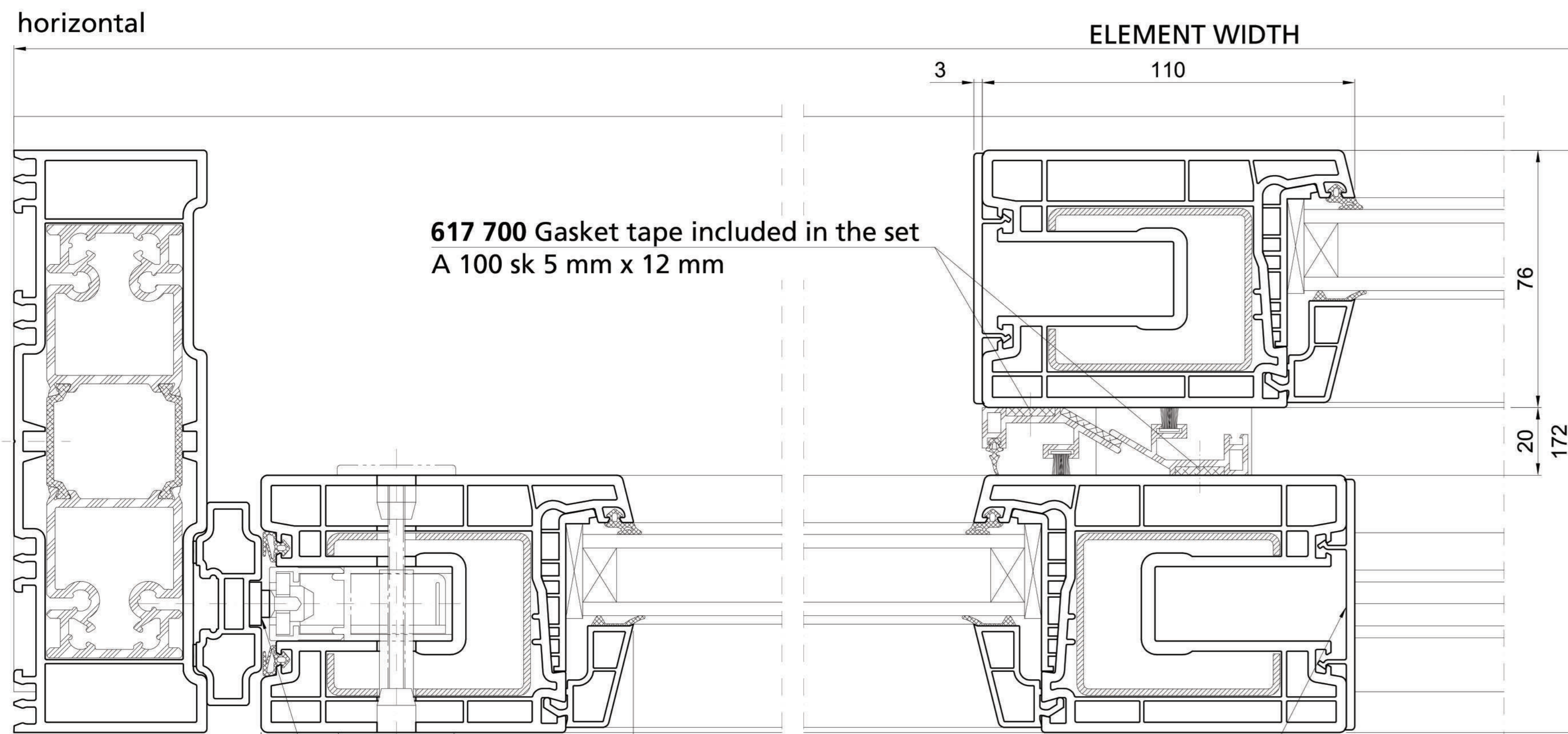




**Elephant Evolution® HST**

**FIȘA TEHNICĂ**





Installation package 627 910

GU 934 K  
Siegenia 300 KF

Designation	Part no.	Quantity
Glide pad	627 010	2 pc.
Fram shim	627 005	5 pc.
Sealing block	624 905	1 R / 1 L
Sealing block	624 906	1 R / 1 L
Spacer	406 267	8 / 38 mm
Threshold connector Siegenia or GU	628 520	2 pc.
Silicone gasket tape	417 742	18 mm x 2,5 m
Silicone gasket tape	417 740	0,4 m
Graze gasket	604 930	2,5 m
Brush gasket	414 970	3 m
Brush gasket	604 909	5 m
Ventilation gasket	414 024	6 m
Casement gasket	414 080	25 m
Gasket	414 090	3 m
Countersunk head screw re-comp. gasket tape	408 615	25 pc.
	617 700	6 m

