



CABINĂ DE DUȘ

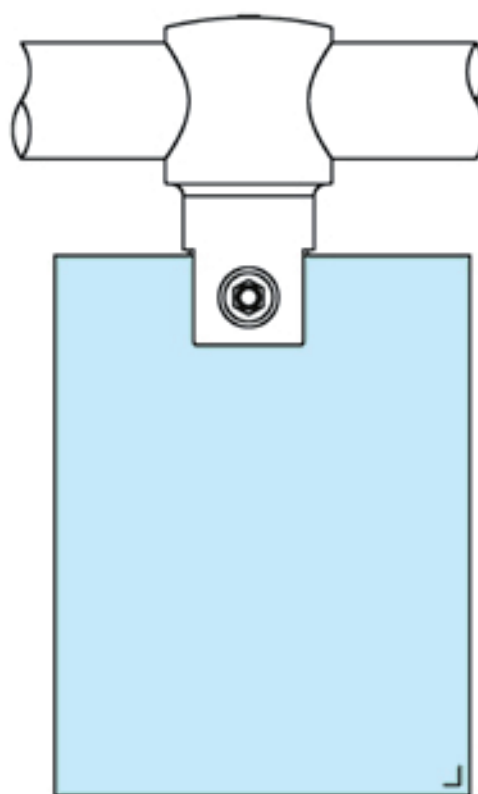
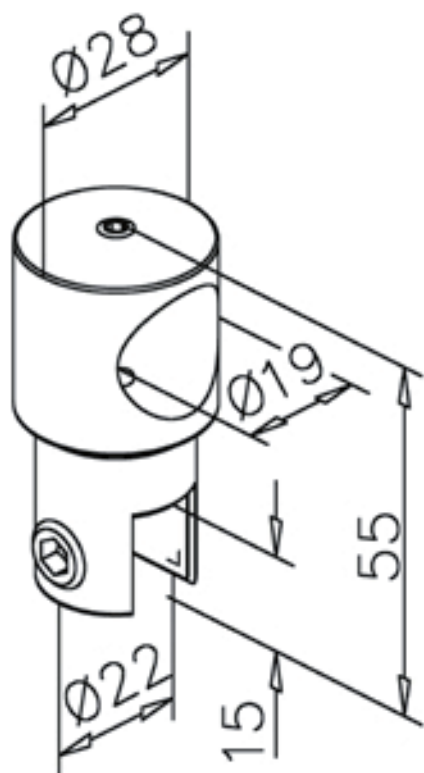
Fișă tehnică

Info produs conector cu trecere 180° cabina dus teava/sticla

Sticla 6-10 mm



Conector cu trecere 180° cabina dus teava/sticla
- detalii de gabarit

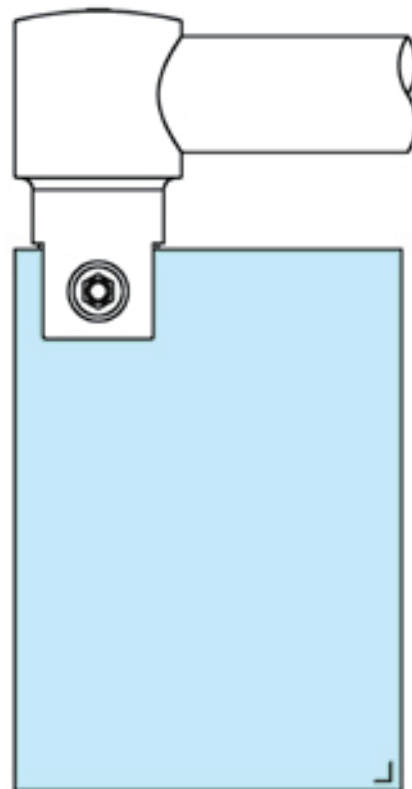
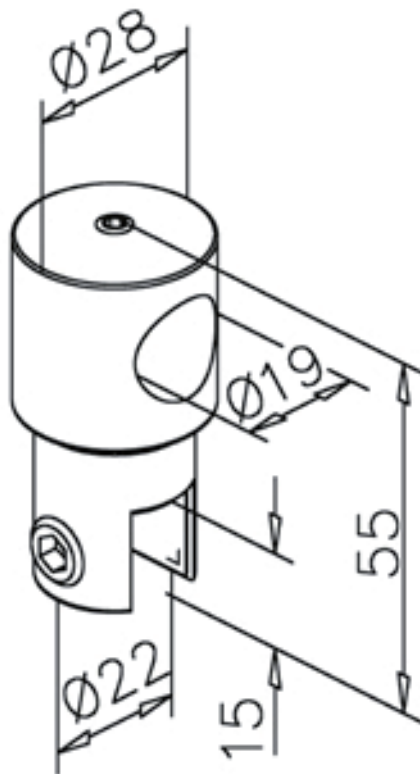


Info produs conector fara trecere 180° cabina dus teava/sticla

Sticla 6-10 mm



Conector fara trecere 180° cabina dus teava/sticla
- detalii de gabarit

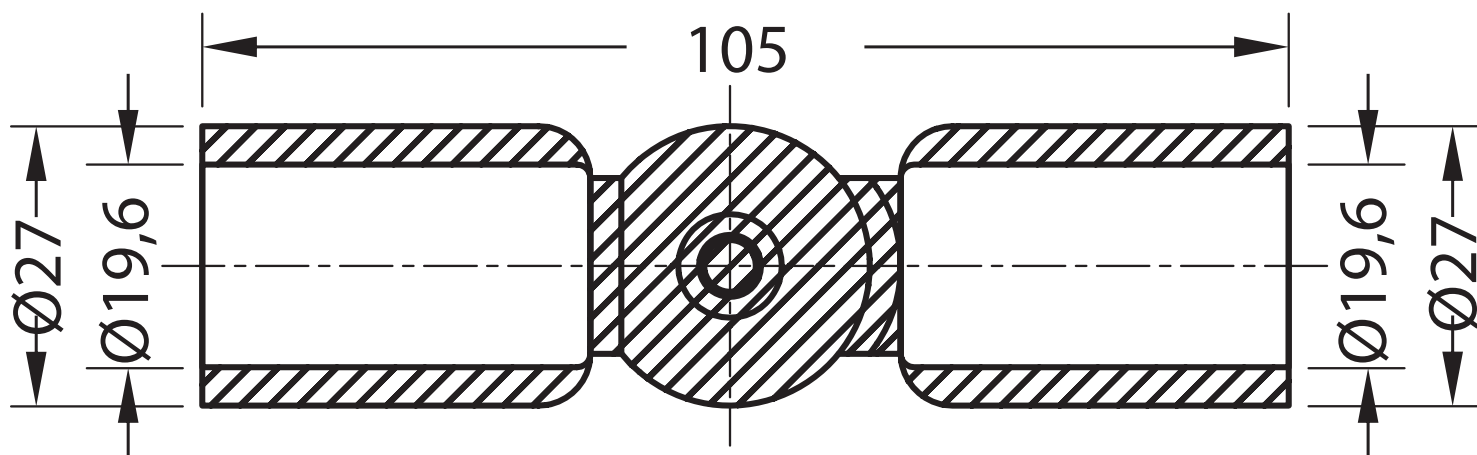


Info produs conector unghi reglabil bara stabilizare cabina dus teava/teava

Utilizare impreuna cu bara de stabilizare $\text{\O}19$ mm



Conector unghi reglabil bara stabilizare cabina dus teava/teava - detalii de gabarit

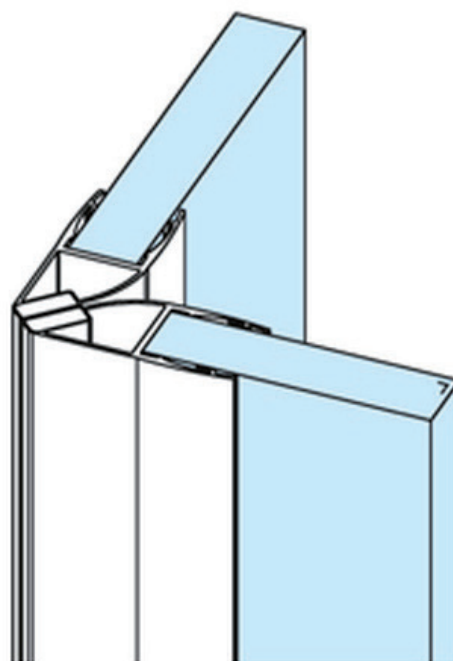
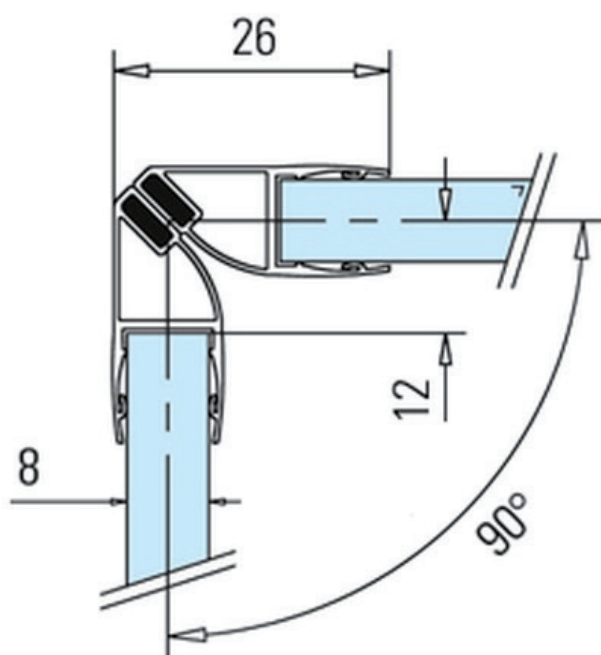


Info produs garnitura magnetica 90° cabina dus sticla 8 mm

Sticla 8 mm



Garnitura magnetica 90° cabina dus sticla 8 mm - detalii de gabarit

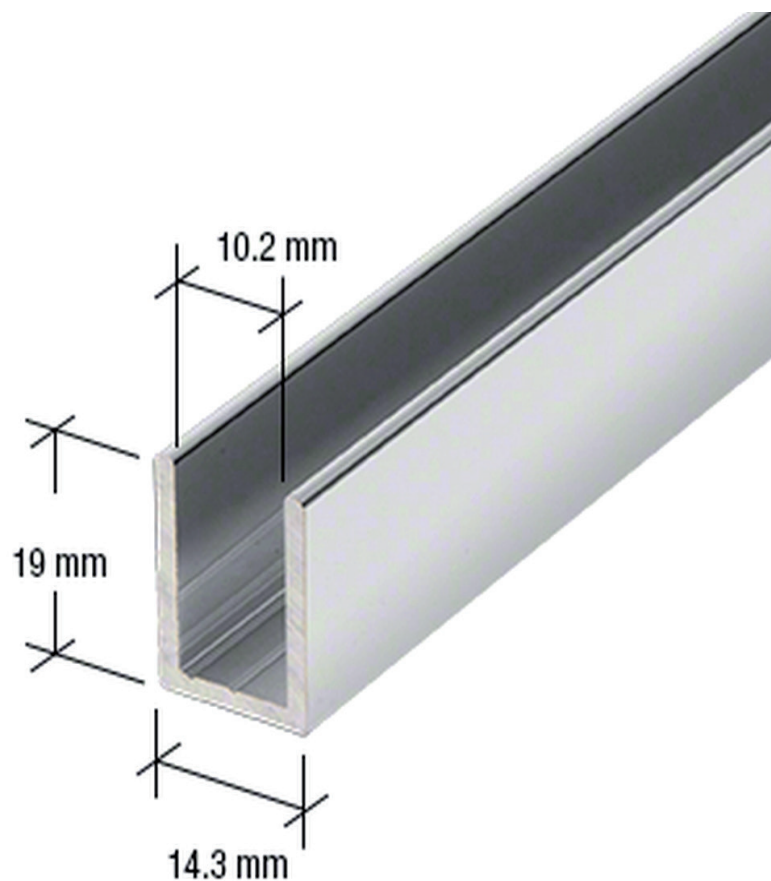


Info produs profil U 19x14,3x2 cabina dus

Lungime profil 2,49/3,65 ml
Interior profil 10,2 mm
Sticla 8-10 mm



Profil U 19x14,3x2 mm cabina dus - detalii de gabarit

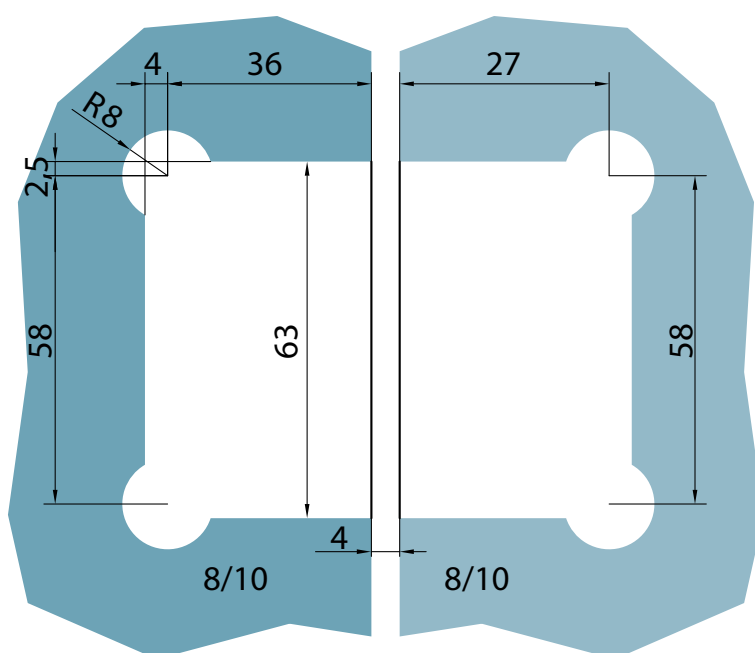
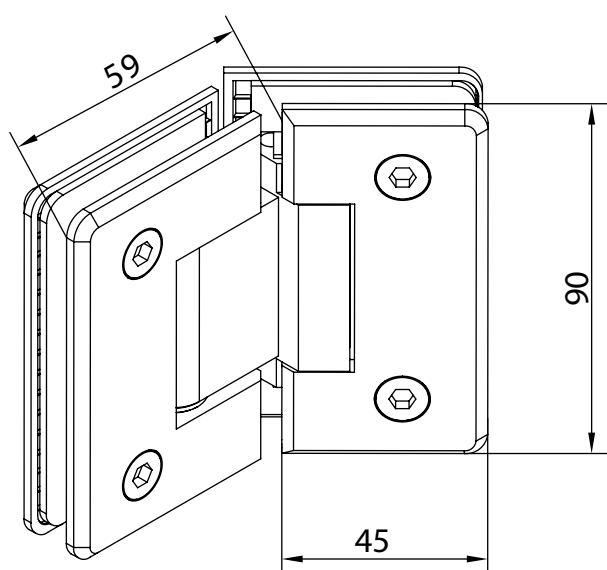


Info produs balama cabina dus 135° sticla/sticla S1000 SHH 302

Incarcare dinamica maxim 45 kg
Grosime sticla 8-10 mm
Deschidere in ambele sensuri
Inchidere automata de la 30°
Blocare la 90°

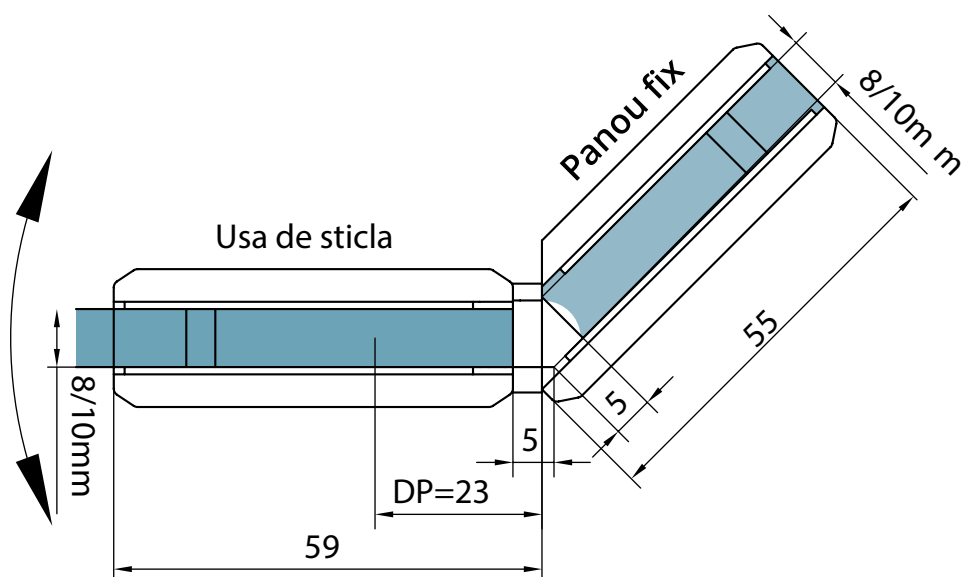


Balama cabina dus 135° sticla/sticla S1000 SHH 302 - dimensiuni de gabarit si detalii prelucrare sticla



Usa de sticla

Panou fix

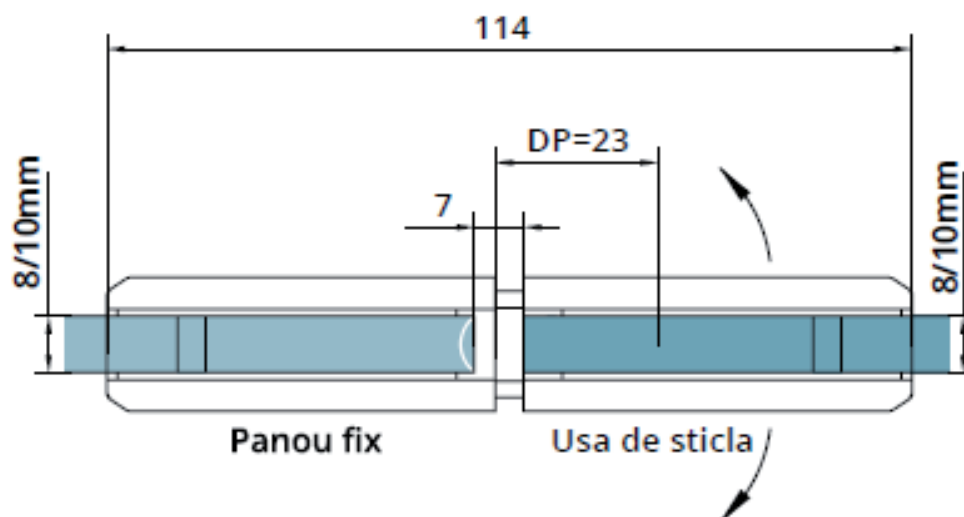
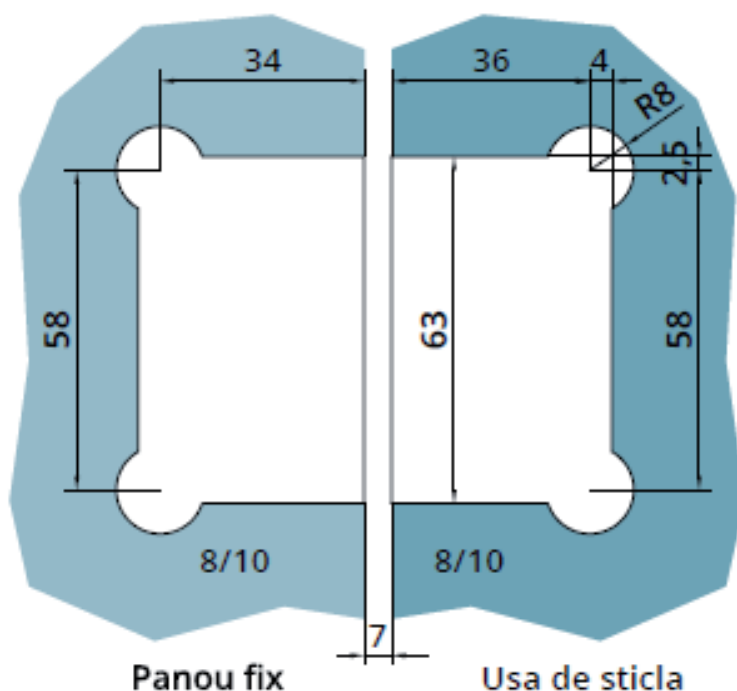
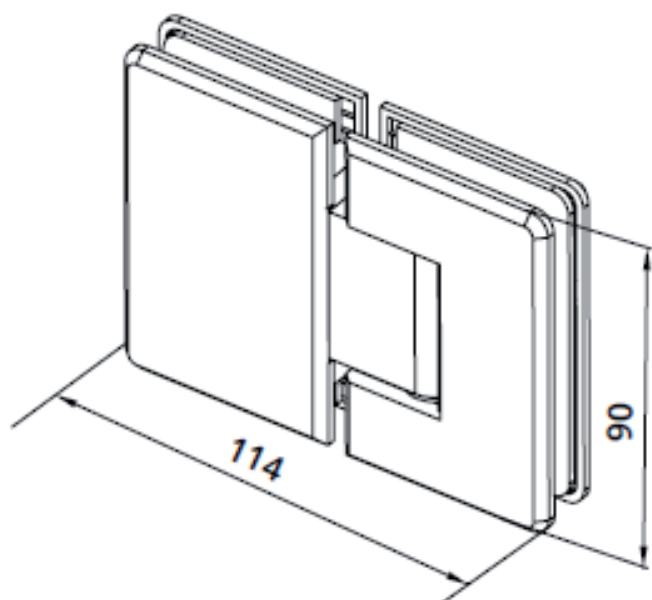


Info produs balama cabina dus 180° sticla/sticla S1000 SHH 303

Incarcare dinamica maxim 45 kg
Grosime sticla 8-10 mm
Deschidere in ambele sensuri
Inchidere automata de la 30°
Blocare la 90°



Balama cabina dus 180° sticla/sticla S1000 SHH 303 -
dimensiuni de gabarit si detalii prelucrare sticla

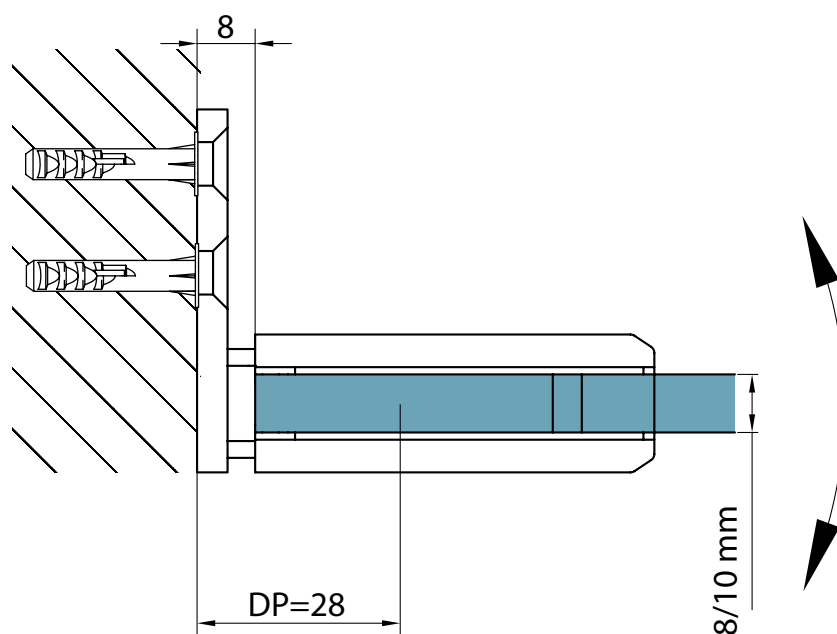
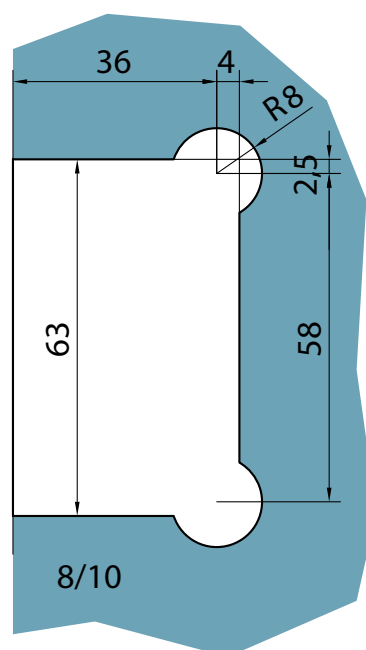
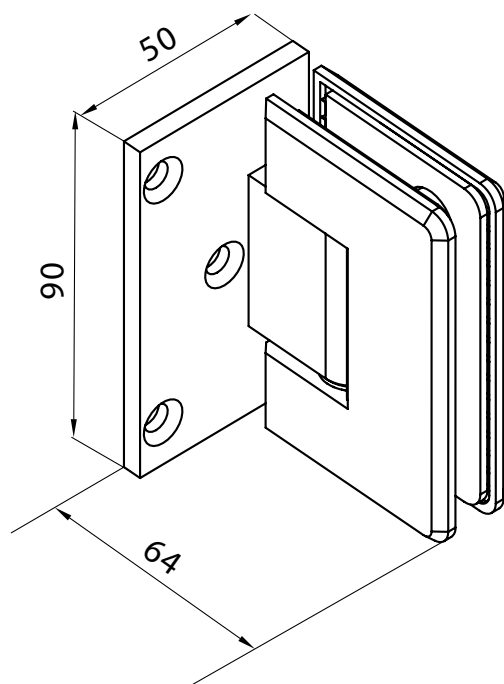


Info produs balama cabina dus jumătate talpa perete/sticla S1000 SHH 305

Incarcare dinamica maxim 45 kg
Grosime sticla 8-10 mm
Deschidere in ambele sensuri
Inchidere automata de la 30°
Blocare la 90°



Balama cabina dus jumătate talpa perete/sticla S1000 SHH 305 - dimensiuni de gabarit si detalii prelucrare sticla

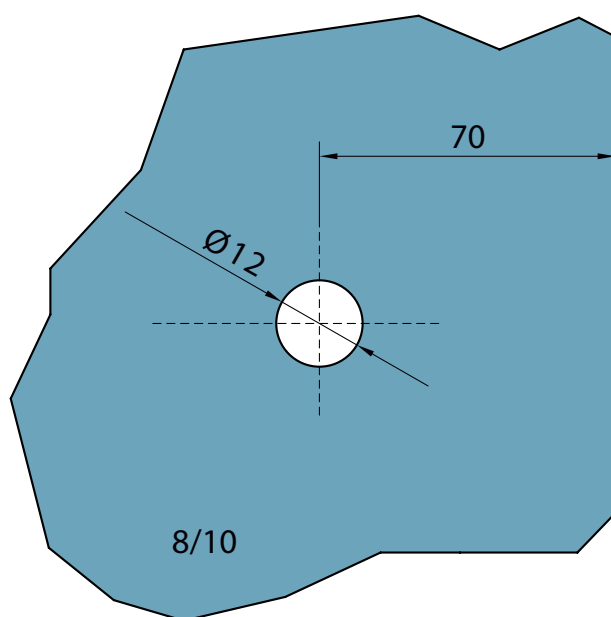
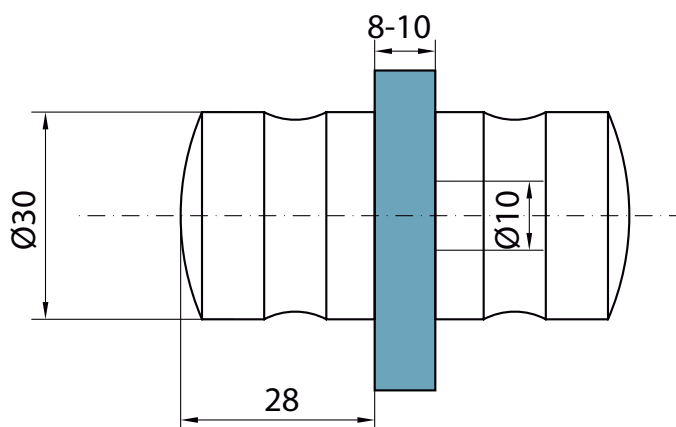


Info produs buton PH102 usa sticla 8-10 mm

Diametru $\varnothing 30$ mm
Sticla 8-10 mm

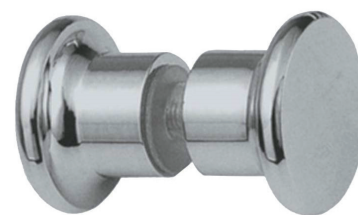


Buton PH102 usa sticla 8-10 mm - detalii constructive si prelucrare sticla

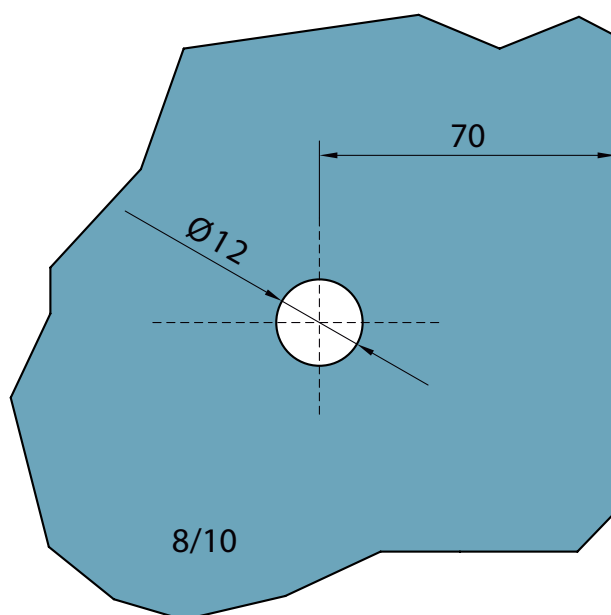
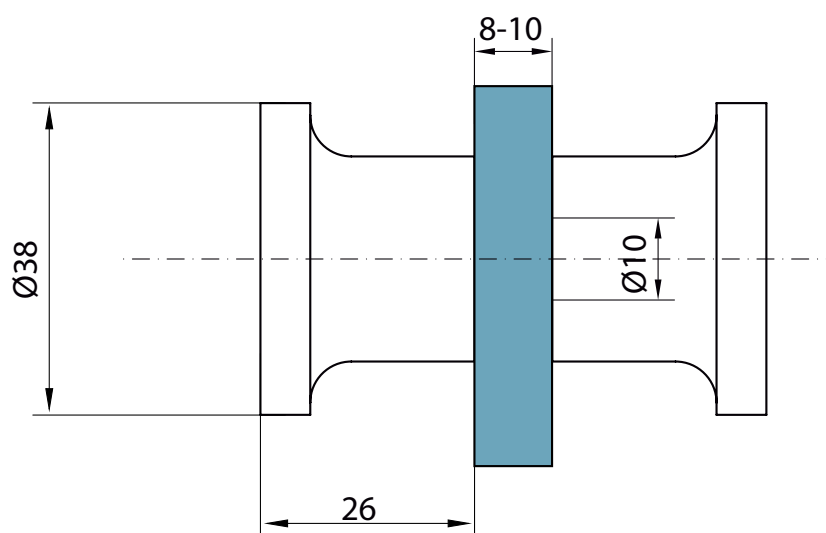


Info produs buton PH106 usa sticla 8-10 mm

Diametru $\varnothing 38$ mm
Sticla 8-10 mm



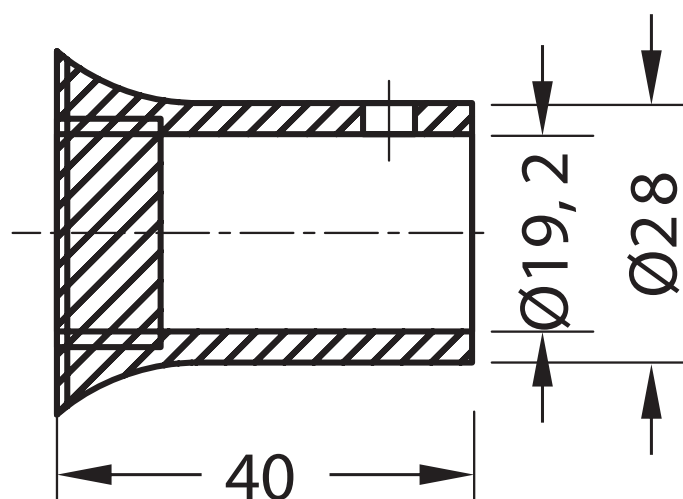
Buton PH106 usa sticla 8-10 mm - detalii constructive si prelucrare sticla



Utilizare impreuna cu bara de stabilizare $\varnothing 19$ mm

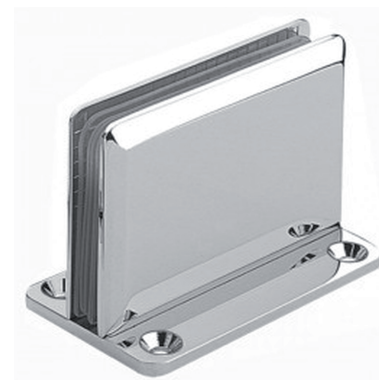


Conector bara stabilizare cabina dus teava/perete - detalii de gabarit



Info produs conector cabina dus perete/sticla S1000 SHH 306

Incarcare dinamica maxim 45 kg
Grosime sticla 8-10 mm



Conector cabina dus perete/sticla S1000 SHH 306 - dimensiuni de gabarit si detalii prelucrare sticla

